

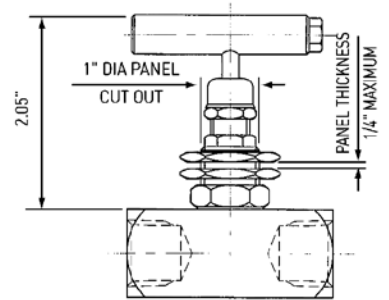


## Head Unit Options



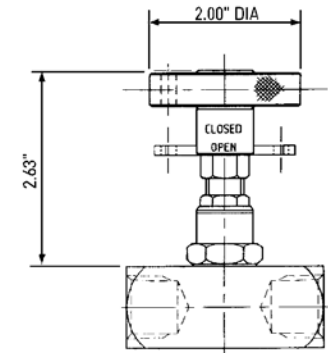
### Panel Mount Option

Note: Additionally drilled and tapped mounting holes, top or bottom available.



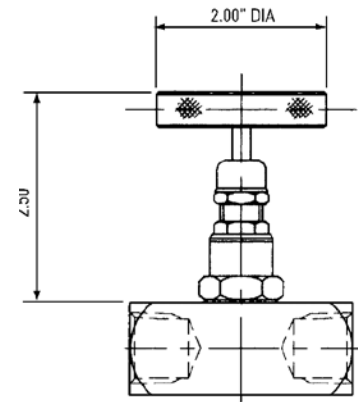
### Hand Wheel Locking and Position Indicator Option

Note: Padlock is extra.



### Stainless Steel Hand Wheel Option

Stainless steel hand wheel (316 grade).



### Anti-Tamper Option

Note: Anti-'key' is extra.

