

## SP08-21

### 2 Way, Normally Open, 207 BAR Rated

A proportional solenoid-operated, 2-way, poppet-type, normally open, screw-in hydraulic cartridge valve for low-leakage load-holding applications and for starting or stopping a load or a pump system.



Voltage	Hydraforce code	Article no.	Price £	Price €
<b>CARTRIDGE VERSION</b>				
24V DC	SP08-21-0-N-24DG	<b>SP0821C24</b>	<b>£135.60</b>	<b>€162.80</b>
<b>INLINE WITH BODY 1/4" BSP</b>				
24V DC	SP08-21-2B-N-24DG	<b>SP08212B24</b>	<b>£161.00</b>	<b>€193.10</b>
<b>INLINE WITH BODY 3/8" BSP</b>				
24V DC	SP08-21-3B-N-24DG	<b>SP08213B24</b>	<b>£161.00</b>	<b>€193.10</b>

with nitril seals

**WITH 'G' DIN CONNECTOR PLUG**

On request - Viton Seals - Screen filter protection - Manual Override  
On request - For DC coils with spade or push on connections

### Materials

#### Cartridge:

Weight: 0.11 kg. (0.25 lbs.)  
Steel with hardened work surfaces.  
Zinc-plated exposed surfaces  
Buna N O-rings and back-ups standard.

#### Standard Ported Body:

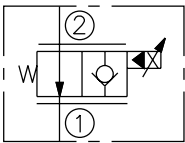
Weight: 0.16 kg. (0.35 lbs.)  
Anodized high-strength 6061 T6 aluminum alloy, rated to 207 bar (3000 psi).  
Ductile iron bodies available; dimensions may differ.

#### Standard Coil:

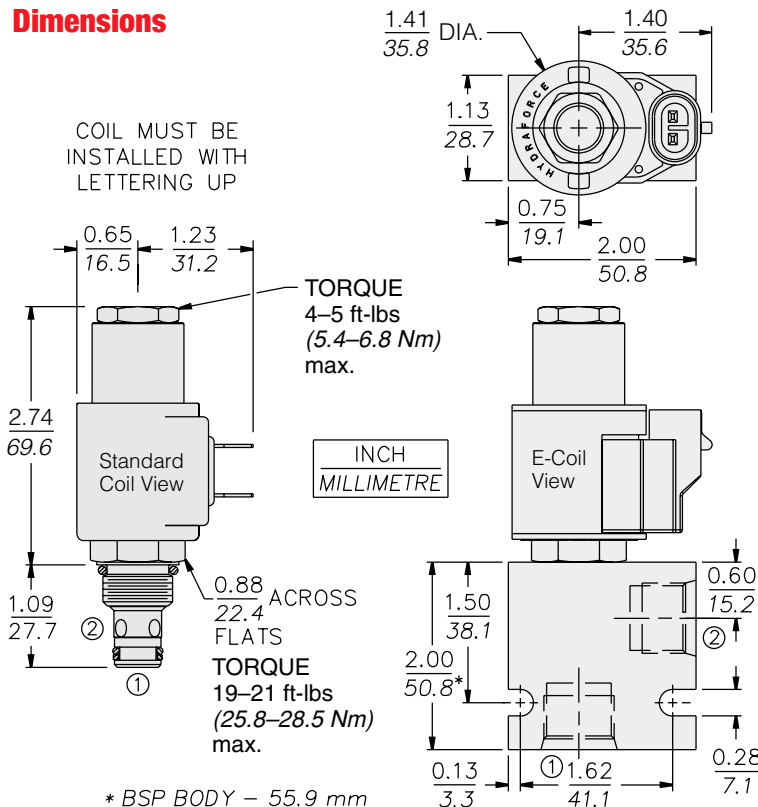
Weight: 0.11 kg. (0.25 lbs.)  
Unitized thermoplastic encapsulated.

### Symbols

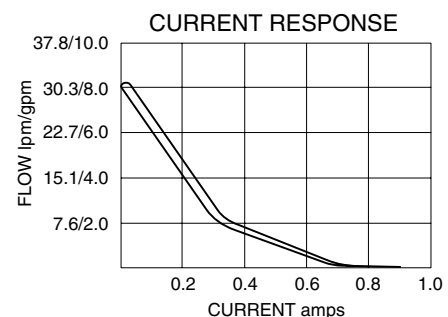
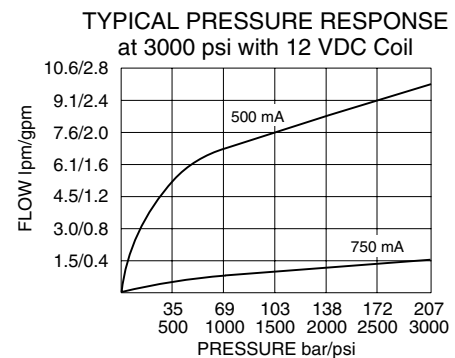
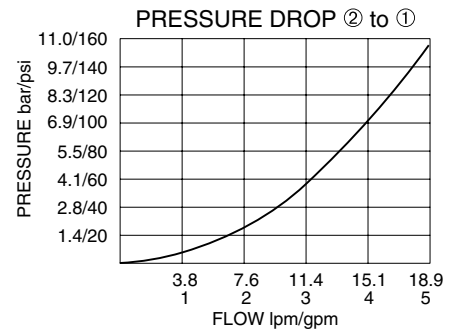
#### USASI/ISO:



### Dimensions



### Performance



Note: Electronic Controller is required to ramp current.