



SP08-47D

4 Way, 3 Position, Motor Spool, 207 BAR Rated

A proportional solenoid-operated, four-way, three-position, spool-type, motor spool, screw-in hydraulic cartridge valve.

Voltage	Hydraforce code	Article no.	Price £	Price €
CARTRIDGE VERSION				
24V DC	SP08-47D-0-N-24DG	SP0847DC24	£152.70	€183.20
INLINE WITH BODY 1/4" BSP				
24V DC	SP08-47D-2B-N-24DG	SP0847D2B24	£194.50	€233.30
INLINE WITH BODY 3/8" BSP				
24V DC	SP08-47D-2B-N-24DG	SP0847D3B24	£194.50	€233.30
with nitril seals				
WITH 'G' DIN CONNECTOR PLUG				

Materials

Cartridge:

Weight: 0.13 kg. (0.28 lbs.)
Steel with hardened work surfaces.
Zinc-plated exposed surfaces.
Buna N O-rings and back-ups std.

Standard Ported Body:

Weight: 0.18 kg. (0.40 lbs.)
Anodized highstrength 6061 T6 aluminum alloy, rated to 207 bar (3000 psi).
Ductile iron bodies available; dimensions may differ.

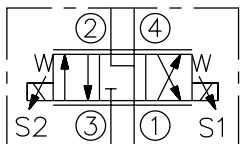
Standard Coil: 2 Required.

Weight each: 0.11 kg. (0.25 lbs.)
Unitized thermoplastic encapsulated.

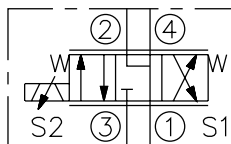
On request - Viton Seals - Screen filter protection - Manual Override
On request - For DC coils with spade or push on connections

Symbols

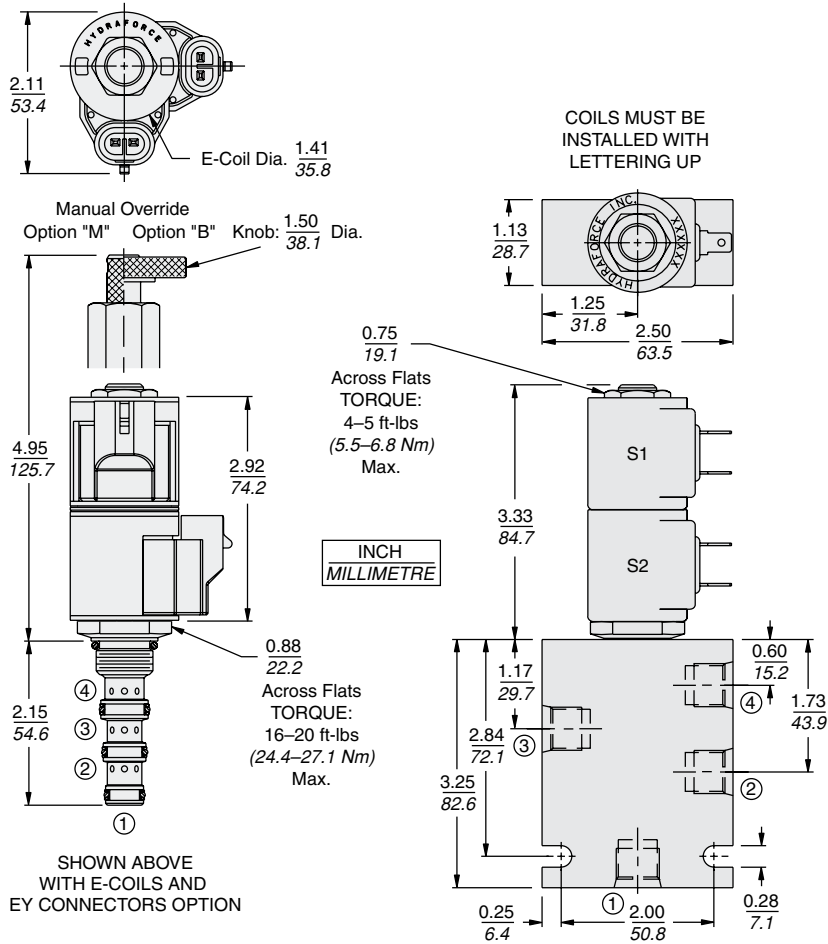
USASI:



ISO:



Dimensions



Performance

