

## SP10-47D

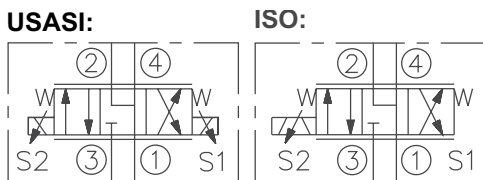
### 4 Way, 3 Position, Motor Spool, 207 BAR Rated

A proportional solenoid-operated, 4-way, 3-position, spool-type, motor spool, screw-in hydraulic cartridge valve.

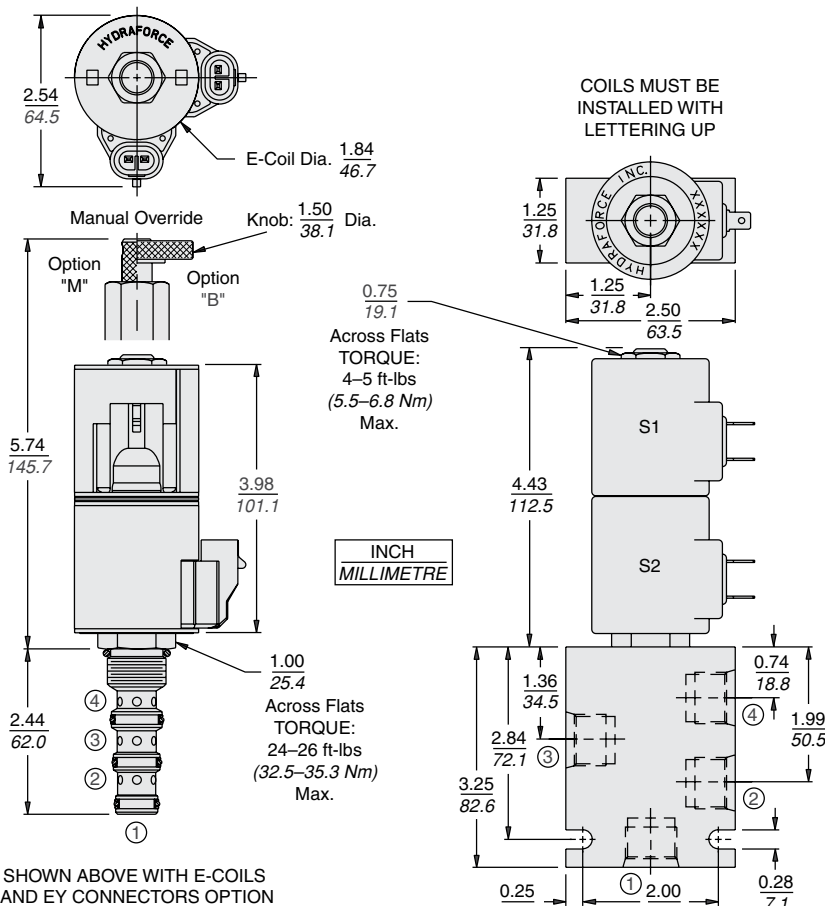
Voltage	Hydraforce code	Article no.	Price £	Price €
<b>CARTRIDGE VERSION</b>				
24V DC	SP10-47D-0-N-24DG	<b>SP1047DC24</b>	<b>£181.00</b>	<b>€217.20</b>
<b>INLINE WITH BODY 1/4" BSP</b>				
24V DC	SP10-47D-2B-N-24DG	<b>SP1047D2B24</b>	<b>£227.20</b>	<b>€272.70</b>
<b>INLINE WITH BODY 3/8" BSP</b>				
24V DC	SP10-47D-2B-N-24DG	<b>SP1047D3B24</b>	<b>£227.20</b>	<b>€272.70</b>
<b>with nitril seals</b>				
<b>WITH 'G' DIN CONNECTOR PLUG</b>				

On request - Viton Seals - Screen filter protection - Manual Override  
On request - For DC coils with spade or push on connections

### Symbols



### Dimensions



SHOWN ABOVE WITH E-COILS AND EY CONNECTORS OPTION



HYDRAFORCE

### Materials

**Cartridge:**  
Weight: 0.30 kg. (0.65 lbs.)  
Steel with hardened work surfaces.  
Zinc-plated exposed surfaces.  
Buna N O-rings and back-ups std.

**Standard Ported Body:**  
Weight: 0.36 kg. (0.80 lbs.)  
Anodized highstrength 6061 T6 aluminum alloy, rated to 207 bar (3000 psi).  
Ductile iron bodies available; dimensions may differ.

**Standard Coil:**  
Weight each: 0.27 kg. (0.60 lbs.) Unitized thermoplastic encapsulated.

### Performance

