



EP10-S35

Piloted Spool-Type Logic Element, 207 BAR Rated

A spool-type, screw-in, cartridge-style, hydraulic directional element, with multi-function potential when used with other directional, pressure, or flow control devices.

Materials

Cartridge:

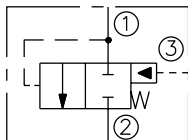
Weight: 0.15 kg. (0.32 lbs.)
Steel with hardened work surfaces.
Zinc-plated exposed surfaces.
Buna N O-rings and polyester elastomer back-ups standard.

Standard Ported Body:

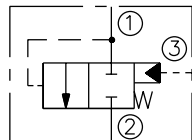
Weight: 0.32 kg. (0.70 lbs.)
Anodized highstrength 6061 T6 aluminum alloy, rated to 207 bar (3000 psi).
Ductile iron (8TD) bodies are available for pressures up to 350 bar (5000 psi); Weight and dimensions may differ.

Symbols

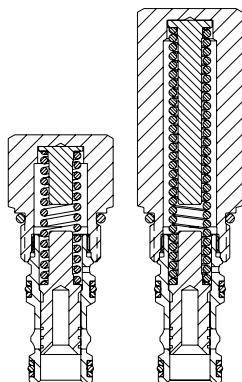
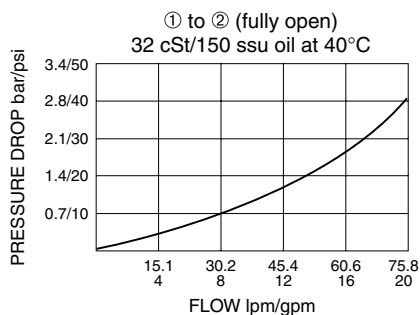
USASI:



ISO:



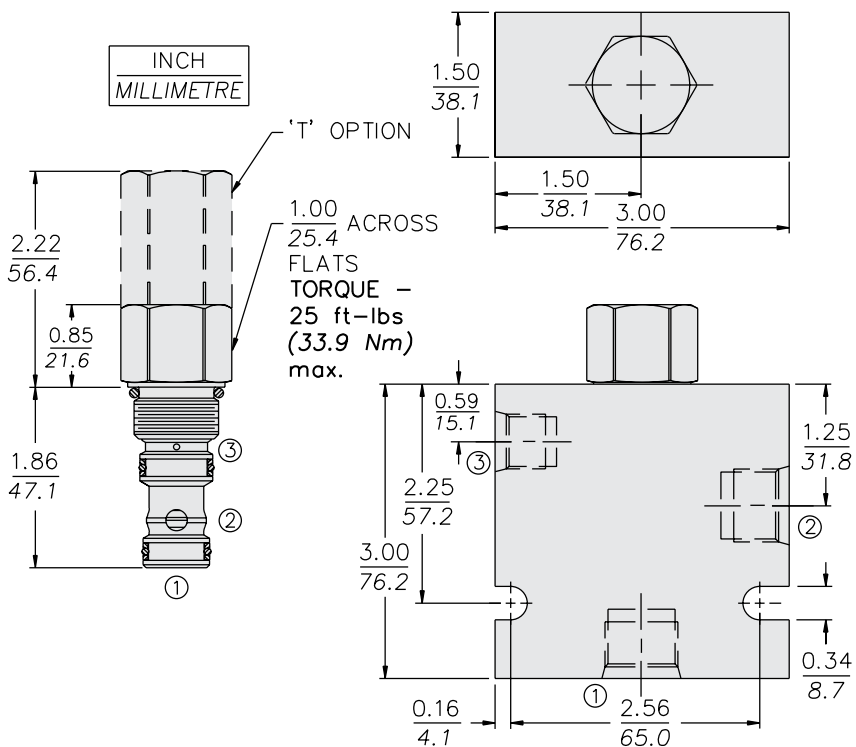
Performance



Porting	Hydraforce code	Article no.	Spring Options	Price £	Price €
Cartridge Version	EP10-S35-0-N-*	EP10S350C*	* suffix with 10 = 0.7 BAR (10 PSI) 40 = 2.8 BAR (40 PSI) 80 = 5.52 BAR (80 PSI) 110 = 7.6 BAR (110 PSI) 160 = 11 BAR (160 PSI) 230 = 15.9 BAR (230 PSI)	£46.20	€55.40

with nitril seals / Viton on request

Dimensions



ORIFICE DISCS SHOULD NOT BE USED WITH THIS PRODUCT.