

## EP12-S35

### Piloted Spool-Type Logic Element, 207 BAR Rated

A spool-type, screw-in, cartridge-style, hydraulic directional element, with multifunction potential when used with other directional, pressure, or flow control devices.



Porting	Hydraforce code	Article no.	Spring Options	Price £	Price €
Cartridge Version	EP12-S35-0-N-*	<b>EP12S350C*</b>	* suffix with <b>10</b> = 0.7 BAR (10 PSI) <b>80</b> = 5.52 BAR (80 PSI) <b>100</b> = 7 BAR (100 PSI) <b>160</b> = 11 BAR (160 PSI) <b>230</b> = 15.9 BAR (230 PSI)	<b>£59.60</b>	<b>€71.50</b>

**with nitril seals / Viton on request**

### Materials

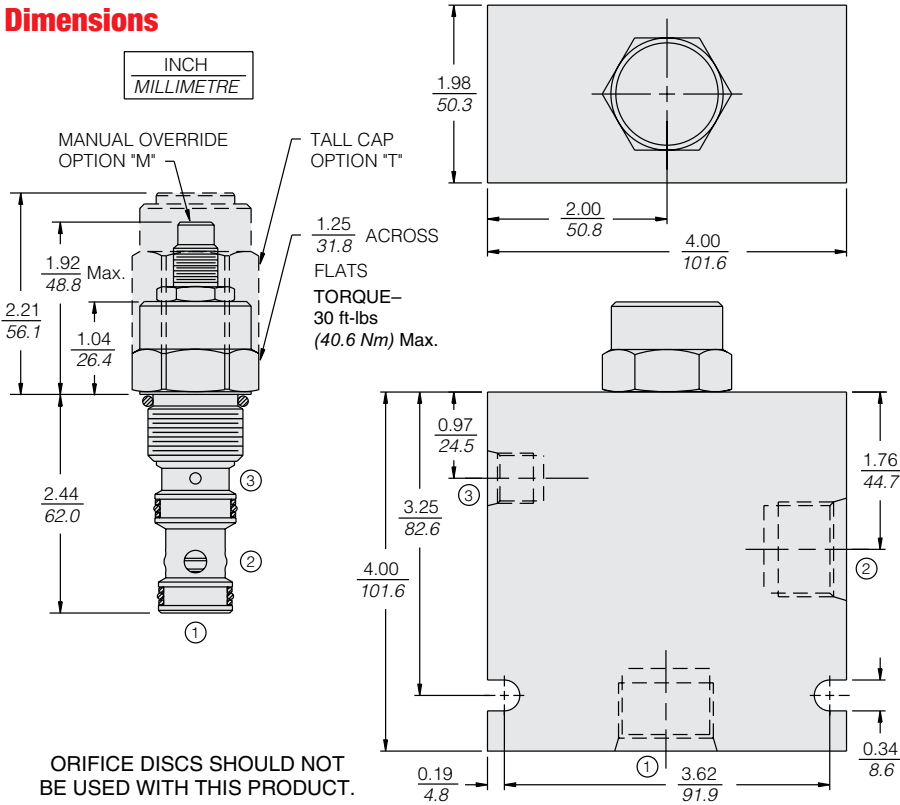
#### Cartridge:

Weight: 0.23 kg. (0.5 lbs.)  
 Steel with hardened work surfaces.  
 Zinc-plated exposed surfaces.  
 Buna N O-rings and polyester elastomer back-ups standard.

#### Standard Ported Body:

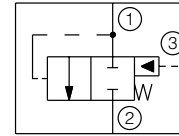
Weight: 1.13 kg. (2.5 lbs.)  
 Anodized highstrength 6061 T6 aluminum alloy, rated to 207 bar (3000 psi).  
 Ductile iron bodies available; dimensions may differ.

### Dimensions

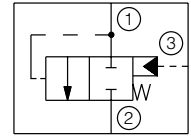


### Symbols

#### USASI:



#### ISO:



### Performance

