



Materials

Cartridge:

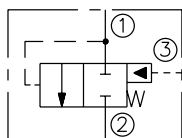
Weight: 0.27 kg. (0.60 lbs.)
Steel with hardened work surfaces.
Zinc-plated exposed surfaces.
Buna N O-rings and polyester elastomer back-ups standard.

Standard Ported Body:

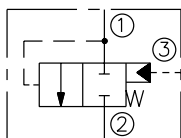
Weight: 1.50 kg. (3.3 lbs.)
Anodized highstrength 6061 T6 aluminum alloy, rated to 207 bar (3000 psi).
Ductile iron bodies available; dimensions may differ.

Symbols

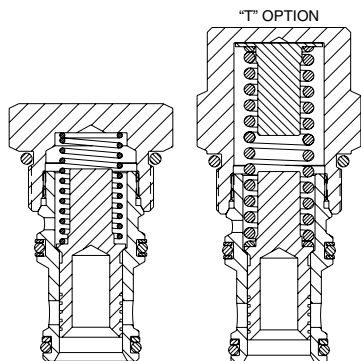
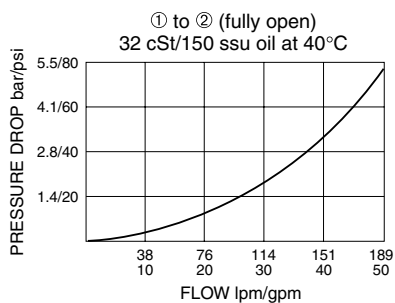
USASI:



ISO:



Performance



EP16-S35

Piloted Spool-Type Logic Element, 207 BAR Rated

A spool-type, screw-in, cartridge-style, hydraulic directional element, with multifunction potential when used with other directional, pressure, or flow control devices.

Porting	Hydraforce code	Article no.	Spring Options	Price £	Price €
Cartridge Version	EP16-S35-0-N-*	EP16S350C*	* suffix with		
			10 = 0.7 BAR (10 PSI)		
			20 = 1.4 BAR (20 PSI)		
			40 = 2.8 BAR (40 PSI)		
			70 = 4.8 BAR (70 PSI)	£59.60	€71.50
			90 = 6.2 BAR (90 PSI)		
			110 = 7.6 BAR (110 PSI)		
160 = 11 BAR (160 PSI)					
240 = 16.5 BAR (240 PSI)					
with nitril seals / Viton on request					

Dimensions

