

## EV10-S34

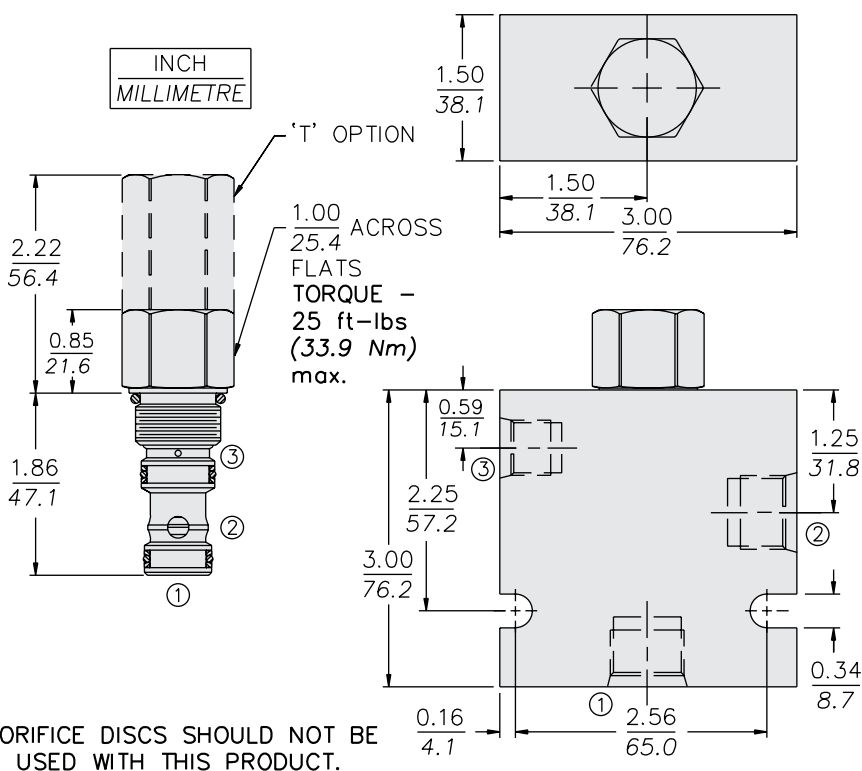
### Vented Spool-Type Logic Element, 207 BAR Rated

A spool-type, screw-in, cartridge-style, hydraulic directional element, with multifunction potential when used with other directional, pressure, or flow control devices.

Porting	Hydraforce code	Article no.	Spring Options	Price £	Price €
			* suffix with		
			10 = 0.7 BAR (10 PSI)		
			40 = 2.8 BAR (40 PSI)		
Cartridge Version	EV10-S34-0-N-*	<b>EV10S340C*</b>	80 = 5.52 BAR (80 PSI)	<b>£51.50</b>	<b>€61.60</b>
			110 = 7.6 BAR (110 PSI)		
			160 = 11 BAR (160 PSI)		
			230 = 15.9 BAR (230 PSI)		

with nitril seals / Viton on request

### Dimensions



HYDRAFORCE

### Materials

#### Cartridge:

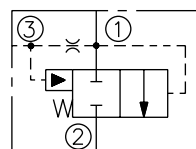
Weight: 0.15 kg. (0.32 lbs.)  
Steel with hardened work surfaces.  
Zinc-plated exposed surfaces.  
Buna N O-rings and polyester elastomer back-ups standard.

#### Standard Ported Body:

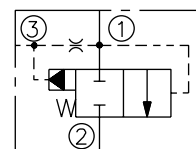
Weight: 0.32 kg. (0.70 lbs.)  
Anodized highstrength 6061 T6 aluminum alloy, rated to 207 bar (3000 psi).  
Ductile iron bodies available; dimensions may differ.

### Symbols

#### USASI:



#### ISO:



### Performance

