



## EV12-S34

### Vented Spool-Type Logic Element, 207 BAR Rated

A spool-type, screw-in, cartridge-style, hydraulic directional element, with multifunction potential when used with other directional, pressure, or flow control devices.

### Materials

#### Cartridge:

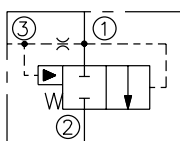
Weight: 0.23 kg. (0.5 lbs.)  
Steel with hardened work surfaces.  
Zinc-plated exposed surfaces.  
Buna N O-rings and polyester elastomer back-ups standard.

#### Standard Ported Body:

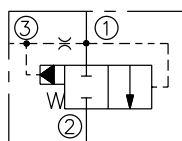
Weight: 1.13 kg. (2.5 lbs.)  
Anodized highstrength 6061 T6 aluminum alloy, rated to 207 bar (3000 psi).  
Ductile iron bodies available; dimensions may differ.

### Symbols

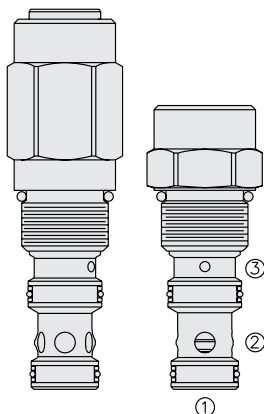
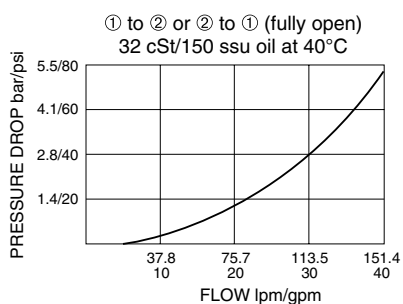
#### USASI:



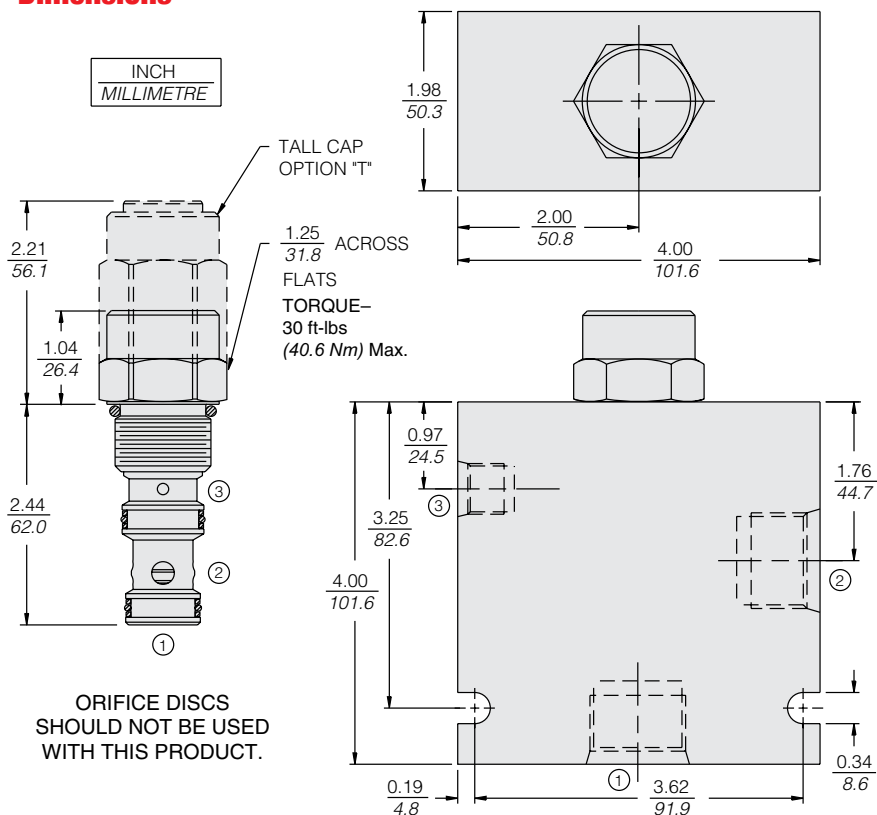
#### ISO:



### Performance



### Dimensions



Porting	Hydraforce code	Article no.	Spring Options	Price £	Price €
Cartridge Version	EV12-S34-0-N*	<b>EV12S340C*</b>	* suffix with 10 = 0.7 BAR (10 PSI) 80 = 5.52 BAR (80 PSI) 100 = 7 BAR (100 PSI) 160 = 11 BAR (160 PSI) 240 = 16.5 BAR (240 PSI)	<b>£62.60</b>	<b>€75.10</b>

with nitril seals / Viton on request