

EV16-S34

Vented Spool-Type Logic Element, 207 BAR Rated

A spool-type, screw-in, cartridge-style, hydraulic directional element, with multifunction potential when used with other directional, pressure, or flow control devices.



Porting	Hydraforce code	Article no.	Spring Options	Price £	Price €
Cartridge Version	EV16-S34-0-N-*	EV16S340C*	* suffix with 10 = 0.7 BAR (10 PSI) 20 = 1.4 BAR (20 PSI) 40 = 2.8 BAR (40 PSI) 70 = 4.8 BAR (70 PSI) 90 = 6.2 BAR (90 PSI) 110 = 7.6 BAR (110 PSI) 160 = 11 BAR (160 PSI)	£64.00	€76.90
with nitril seals / Viton on request					

Materials

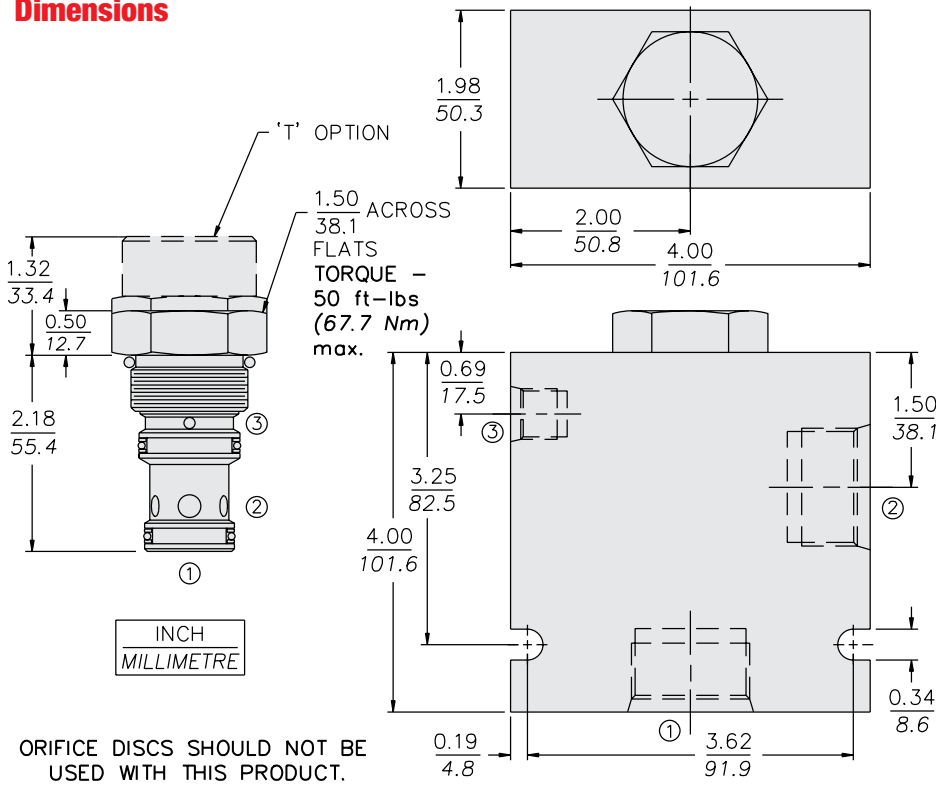
Cartridge:

Weight: 0.27 kg. (0.60 lbs.)
 Steel with hardened work surfaces.
 Zinc-plated exposed surfaces.
 Buna N O-rings and polyester elastomer back-ups standard.

Standard Ported Body:

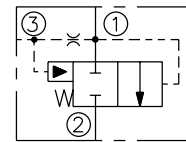
Weight: 1.50 kg. (3.3 lbs.)
 Anodized highstrength 6061 T6 aluminum alloy, rated to 207 bar (3000 psi).
 Ductile iron bodies available; dimensions may differ.

Dimensions

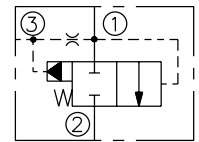


Symbols

USASI:



ISO:



Performance

