

NV10-20

Needle Valve, 207 BAR Rated

A screw-in, cartridge-style, variable orifice, hydraulic flow restrictor valve.

Porting	Hydraforce code	Article no.	Price £	Price €
Cartridge Version	NV10-20A-0-N	NV1020AC	£32.00	€38.40
INLINE 1/4" BSP	NV10-20A-2B-N	NV1020A2B	£60.40	€72.50
INLINE 3/8" BSP	NV10-20A-3B-N	NV1020A3B	£60.40	€72.50
INLINE 1/2" BSP	NV10-20A-4B-N	NV1020A4B	£60.40	€72.50

with nitril seals / Viton on request

Materials

Cartridge:

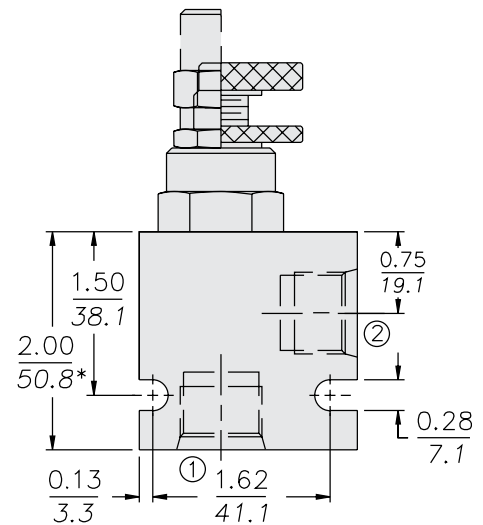
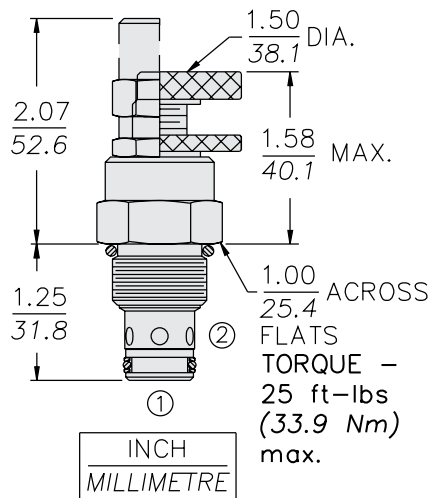
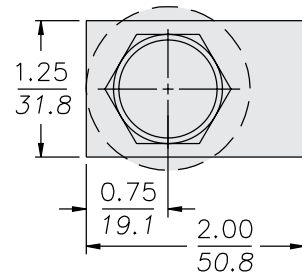
Weight: 0.15 kg. (0.33 lbs.)
Steel with hardened work surfaces.
Zinc-plated exposed surfaces.
Buna N O-rings and polyester elastomer back-ups standard.
Anodized aluminum knobs.

Standard Ported Body:

Weight: 0.16 kg. (0.35 lbs.)
Anodized highstrength 6061 T6 aluminum alloy, rated to 207 bar (3000 psi).
Ductile iron bodies available; dimensions may differ.

- Standard** - with 1/4" HEX ALLEN HEAD (A)
On request - 1 1/2" dia alum knob
Option (A) with cover cap (C)
Top knob with locknut
Top knob only
Lockwire holes (with option (C))

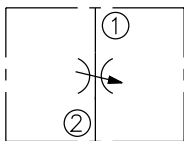
Dimensions



* BSP BODY - 55.9

Symbols

USASI/ISO:



Performance

