

## NV12-20

### Needle Valve, 207 BAR Rated

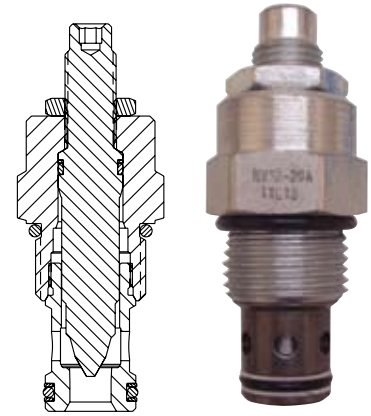
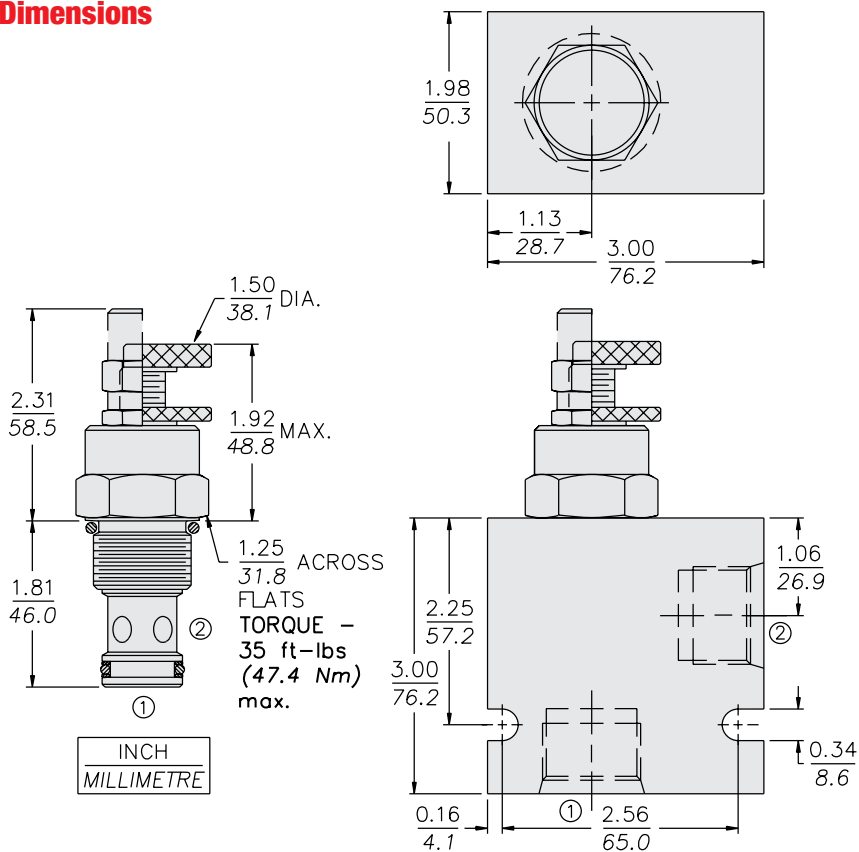
A screw-in, cartridge-style, variable orifice, hydraulic flow restrictor valve

Porting	Hydraforce code	Article no.	Price £	Price €
Cartridge Version	NV12-20A-0-N	<b>NV1220AC</b>	<b>£56.60</b>	<b>€67.90</b>
INLINE 1/2" BSP	NV12-20A-4B-N	<b>NV1220A4B</b>	<b>£108.80</b>	<b>€130.50</b>
INLINE 3/4" BSP	NV12-20A-6B-N	<b>NV1220A6B</b>	<b>£108.80</b>	<b>€130.50</b>
INLINE 1" BSP	NV12-20A-8B-N	<b>NV1220A8B</b>	<b>£108.80</b>	<b>€130.50</b>

with nitril seals / Viton on request

- Standard** - with 1/4" HEX ALLEN HEAD (A)  
**On request** - 1 1/2" Dia Alum Knob  
 Option (A) with cover cap (C)  
 Top knob with locknut  
 Top knob only  
 Lockwire holes (with option (C))

### Dimensions



HYDRAFORCE

### Materials

#### Cartridge:

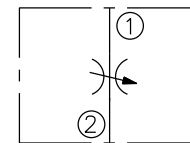
Weight: 0.20 kg. (0.45 lbs.)  
 Steel with hardened work surfaces.  
 Zinc-plated exposed surfaces.  
 Buna N O-rings and polyester elastomer back-ups standard.  
 Anodized aluminum knobs.

#### Standard Ported Body:

Weight: 0.57 kg. (1.25 lbs.)  
 Anodized highstrength 6061 T6 aluminum alloy, rated to 207 bar (3000 psi).  
 Ductile iron bodies available; dimensions may differ.

### Symbols

#### USASI/ISO:



### Performance

