

FR12-23

Regulator, Pressure Compensated, 207 BAR Rated

A screw-in, cartridge-style, adjustable orifice, pressure-compensated, manually-operated hydraulic flow regulating valve (restrictive type).

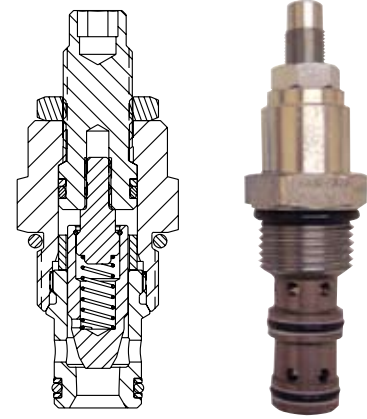
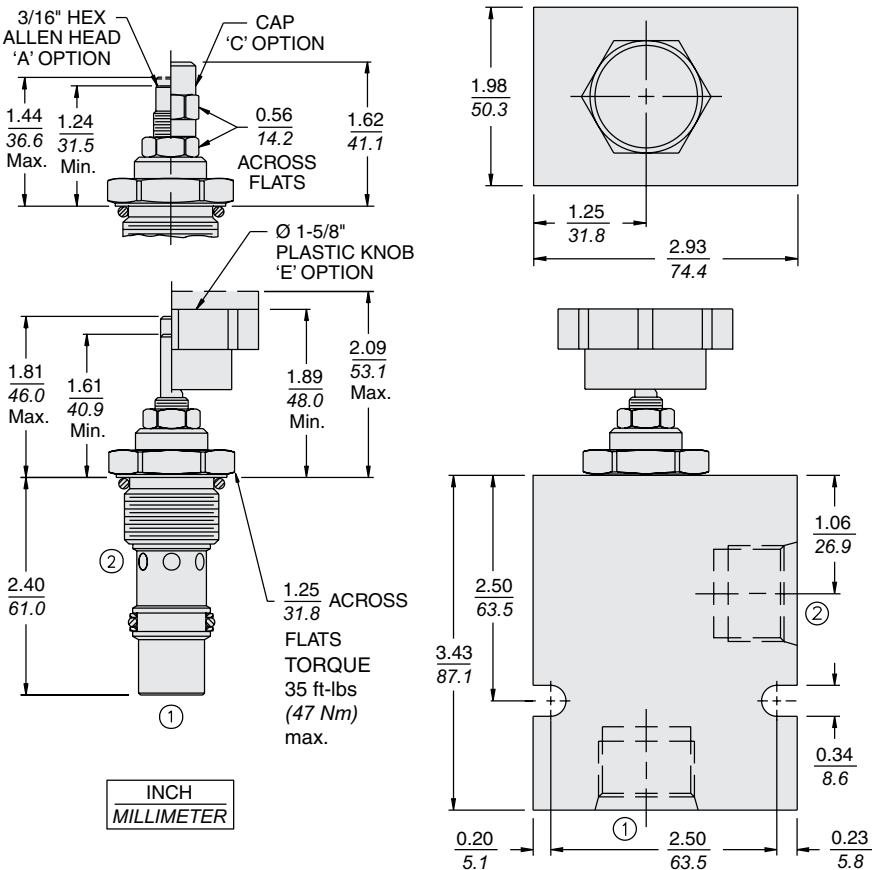
Porting	Hydraforce code	Article no.	Flow Setting*	Price £	Price €
Cartridge Version	FR12-23A-0-N-XX	FR1223AC*	* Standard factory setting 4 - 6 gpm (18 - 27 lpm)	£106.60	€127.80

*** Please state desired flow setting**

with nitril seals / Viton on request

- Standard** - with 3/16" HEX ALLEN HEAD (A)
On request - 11/2" dia alum knob
 Option (A) with cover cap (C)
 Top plastic knob
 Lockwire holes (with option (C))

Dimensions



HYDRAFORCE

Materials

Cartridge:

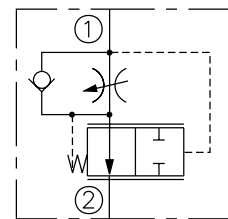
Weight: 0.08 kg. (0.18 lbs.)
 Steel with hardened work surfaces.
 Zinc-plated exposed surfaces.
 Buna N O-rings and polyester elastomer back-ups standard.

Special Ported Body:

Weight: 0.52 kg. (1.15 lbs.)
 Anodized highstrength 6061 T6 aluminum alloy, rated to 207 bar (3000 psi).
 Ductile iron bodies available; dimensions may differ.

Symbols

USASI/ISO:



Performance

