

FR10-32

Flow Regulator, Pressure Compensated, 207 BAR Rated

A screw-in, cartridge-style, pressure-compensated, manually-operated, bi-directional hydraulic flow regulating valve. An internal compensator spool provides compensated flow across the proportional orifice regardless of flow direction.

Porting	Hydraforce code	Article no.	Price £	Price €
Cartridge Version	FR10-32A-0-N	FR1032AC	£123.70	€148.40
INLINE 1/4" BSP	FR10-32A-2B-N	FR1032A2B	£160.90	€193.10
INLINE 3/8" BSP	FR10-32A-3B-N	FR1032A3B	£160.90	€193.10

with nitril seals / Viton on request

- Standard** - with 3/16" HEX ALLEN HEAD (A)
On request - Option (A) with cover cap (C)
 Top plastic knob

Materials

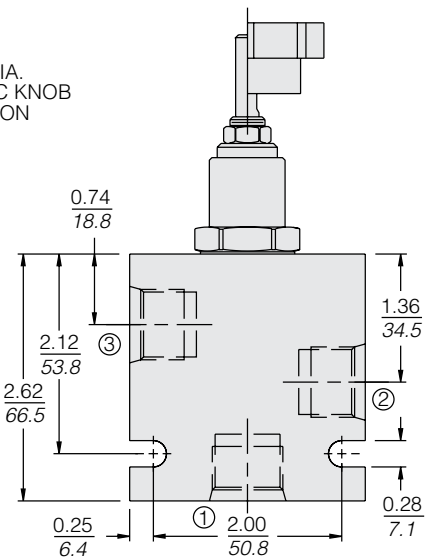
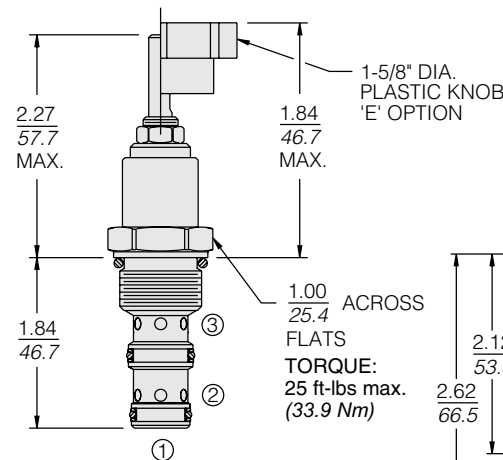
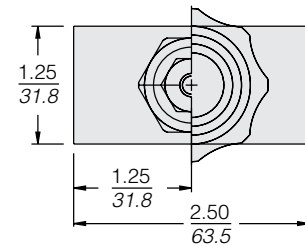
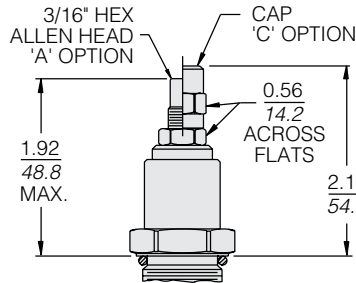
Cartridge:

Weight: 0.30 kg. (0.68 lbs.)
 Steel with hardened work surfaces.
 Zinc-plated exposed surfaces.
 Buna N O-rings and polyester elastomer back-ups standard.

Standard Ported Body:

Weight: 0.36 kg. (0.80 lbs.)
 Anodized highstrength 6061 T6 aluminum alloy, rated to 207 bar (3000 psi).
 Ductile iron bodies available; dimensions may differ.

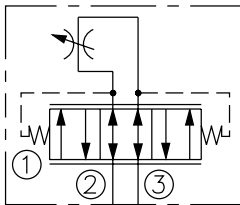
Dimensions



INCH
MILLIMETRE

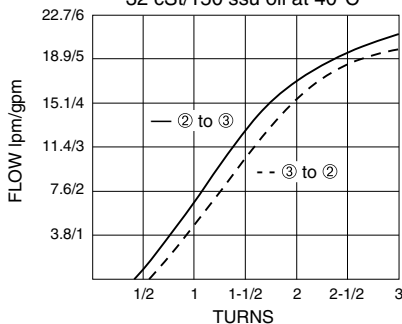
Symbols

USASI/ISO:



Performance

Regulated Flow vs. Turns
 103 bar/1500 psi Input Pressure
 69 bar/1000 psi at Regulated Port
 32 cSt/150 ssu oil at 40°C



Regulated Flow vs. Pressure Drop
 240 bar/3500 psi Input Pressure
 69 bar/1000 psi at Regulated Port
 32 cSt/150 ssu oil at 40°C

