

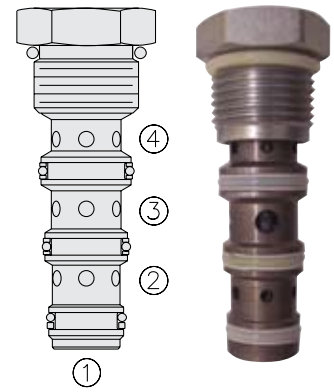
## FD50-45

### Flow Divider/cominer, Heavy Duty, Multifunction, 5,000 PSI Rated

A heavy duty, multifunction, screw-in, cartridge-style, spool-type flow divider/combiner.

Porting	Hydraforce code	Article no.	Dividing/Combining Ratio	Price £	Price €
Cartridge Version	FD50-45-0-P-*	<b>FD50450C*</b>	* suffix with 22 = 50:50 rated / 15.1 lpm input 33 = 50:50 rated / 22.7 lpm input	<b>£65.50</b>	<b>€78.60</b>
INLINE 3/8" BSP	FD50-45-3BD-P*	<b>FD50453B*</b>	44 = 50:50 rated / 34.1 lpm input 66 = 50:50 rated / 45.4 lpm input	<b>£189.20</b>	<b>€227.00</b>

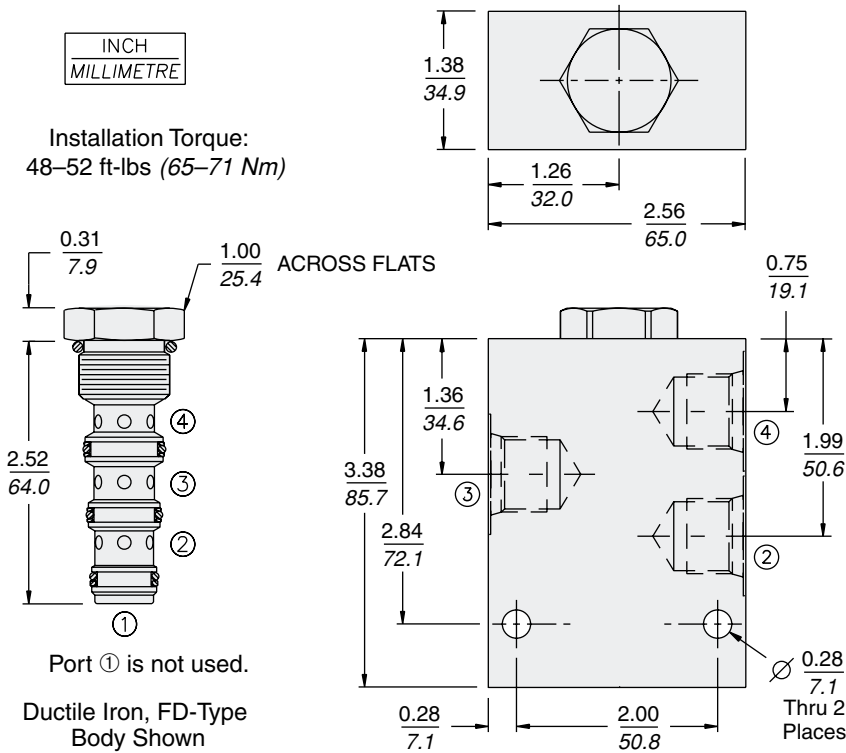
with polyurethane seals



### Dimensions



Installation Torque:  
48–52 ft-lbs (65–71 Nm)



### Materials

#### Cartridge:

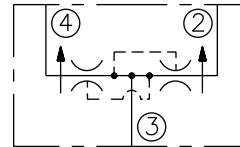
Weight: 0.10 kg. (0.23 lbs.)  
Steel with hardened work surfaces.  
Zinc-plated exposed surfaces.  
Buna N O-rings and polyester elastomer back-ups standard.

#### Special Ported Body:

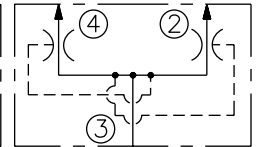
Ductile iron, required for operation over 207 bar (3000 psi). Aluminum bodies are available for lower pressure operation.

### Symbols

#### USASI:



#### ISO:



### Performance

Pressure Drop vs. Inlet Flow  
③ to ② and ④  
32 cSt/150 ssu oil at 40°C

