



APPROVED BY

British Gas



## Male x Female – EN331 Nickel Plated Brass Full Bore Ball Valves

Female = BSP Parallel Threaded Male = ISO 7/1 Rp Taper  
25 – 50 BAR Rated

Article no. <b>LEVER HANDLE</b>	Size	Max Pressure BAR	Price £	Price €
067001	1/4"	50	£5.20	€5.40
067002	3/8"	50	£5.60	€5.90
067003	1/2"	50	£7.50	€7.90
067004	3/4"	40	£10.20	€10.70
067005	1"	40	£15.20	€16.00
067006	1 1/4"	30	£25.60	€26.80
067007	1 1/2"	30	£38.90	€40.80
067008	2"	25	£54.00	€56.70

Article no. <b>T HANDLE</b>	Price £	Price €
06901	£4.80	€5.10
06902	£5.30	€5.50
06903	£7.20	€7.60
06904	£9.70	€10.20
06905	£14.70	€15.50

### Materials

Body	Forged Brass - Nickel Plated
Ball	Brass - Chromed
Stem Seal	VITON
Ball Seal	PTFE
Temp. Range	-20 to +60°C
Lever	Flat Steel With Yellow Plastic Sleeve
Tee Handle	Aluminium



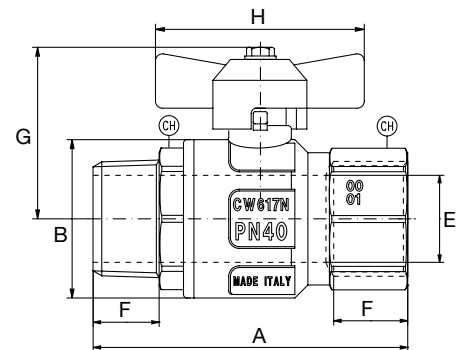
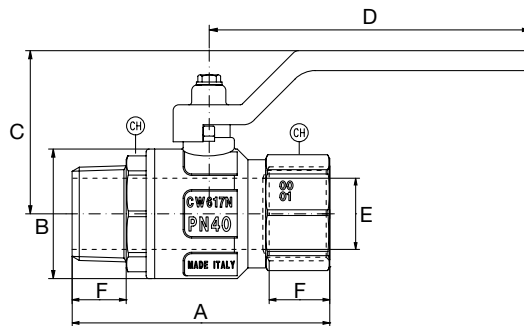
### Limit Switch

Article No.		Price £	Price €
suffix/LS	1 switch fitted	£84.50	€114.10
suffix/LS2	2 switches fitted	£113.90	€153.80
LS	switch loose	£29.40	€39.70
LSB	bracket only	£63.00	€85.10



### Locking Kit for Flat Lever Ball Valve

Article no.	Size	Price £	Price €
084LK01	1/4" - 1/2"	£1.20	€1.30
084LK03	3/4" - 1"	£1.50	€1.70
084PP03	Lock Pin	£1.20	€1.30
PAD3	Padlock to suit ITAP	£8.10	€9.00



### Dimensions – Male x Female

Size	1/4"	3/8"	1/2"	3/4"	1"	1 1/4"	1 1/2"	2"
DN	8	10	15	20	25	32	40	50
A (mm)	56.9	58.9	68	75.5	90.5	105	115.5	135.5
B (mm)	23.5	24	30.5	37	45.5	58	71	85
C (mm)	37	37	48.3	54.8	58.8	75	90	97
D (mm)	80	80	88.5	113	113	138	157.8	157.8
E (mm)	8	10	15	20	25	32	39	50
F (mm)	11	11.4	15	16.3	19.1	21.4	21.4	25.7
G (mm)	36.5	36.5	44.3	47.3	51.3			
H (mm)	47	47	54	62	62			
CH (mm)	18	21	25	31	38	47	54	66