

Female x Female – EN331 Nickel Plated Brass Full Bore Ball Valves

**BSP Parallel Threaded – ISO 7/1 Rp - Parallel
5 – 40 BAR Rated**



BRASS BALL VALVES

Article no. LEVER HANDLE	Size	Max Pressure BAR	Price £	Price €
108001E	1/4"	40	£4.90	€5.10
108002E	3/8"	40	£5.20	€5.40
108003E	1/2"	40	£7.10	€7.50
108004E	3/4"	40	£9.70	€10.20
108005E	1"	40	£14.50	€15.30
108006E	1 1/4"	30	£24.20	€25.50
108007E	1 1/2"	30	£37.90	€39.70
108008E	2"	25	£52.90	€55.50
108009	2 1/2"	18	£151.90	€159.50
108010	3"	14	£221.70	€232.80
108011	4"	14	£391.20	€410.70

Article no. T HANDLE	Price £	Price €
06814	£4.50	€4.80
06838	£4.80	€5.10
06812	£6.80	€7.10
06834	£9.20	€9.70
06810	£14.00	€14.70



APPROVED BY

British Gas



EN331



Limit Switch

Article No.		Price £	Price €
suffix/LS	1 switch fitted	£84.50	€114.10
suffix/LS2	2 switches fitted	£113.90	€153.80
LS	switch loose	£29.40	€39.70
LSB	bracket only	£63.00	€85.10

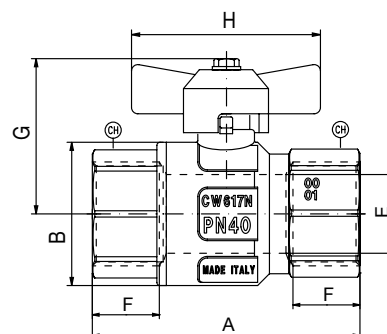
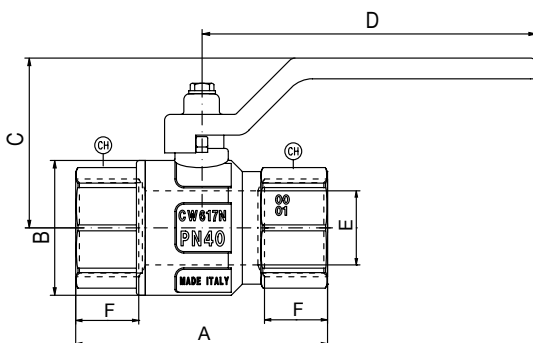


Locking Kit for Flat Lever Ball Valve

Article no.	Size	Price £	Price €
084LK01	1/4" - 1/2"	£1.20	€1.30
084LK03	3/4" - 1"	£1.50	€1.70
084PP03	Lock Pin	£1.20	€1.30
PAD3	Padlock to suit ITAP	£8.10	€9.00

Materials

Body	Forged Brass - Nickel Plated
Ball	Brass - Chromed
Stem Seal	VITON
Ball Seal	PTFE
Temp. Range	-20 to +60°C
Lever	Flat Steel With Yellow Plastic Sleeve
Tee Handle	Aluminium
Thread	BS21 – ISO7/1Rp Parallel
European Gas Approval To EN331	



Dimensions – Female x Female

Size	1/4"	3/8"	1/2"	3/4"	1"	1 1/4"	1 1/2"	2"
DN	8	10	15	20	25	32	40	50
A (mm)	49.5	52.4	61	68	85	99.5	109	130
B (mm)	23.5	24	30.5	37	45.5	58	71	85
C (mm)	37	37	48.3	54.8	58.8	75	90	97
D (mm)	80	80	88.5	113	113	138	157.8	157.8
E (mm)	10	10	15	20	25	32	40	50
F (mm)	11	11.4	15	16.3	19.1	21.4	21.4	25.7
G (mm)	36.5	36.5	44.3	47.3	51.3			
H (mm)	47	47	54	62	62			
CH (mm)	18	21	25	31	38	47	54	66