

# Series S.85 'WRC' Approved Full Bore Nickel Plated Brass Ball Valves

Temp -40°C – 170°C  
 BSP Parallel ISO 228  
 Silicon Free  
 40 BAR rated



BRASS BALL VALVES



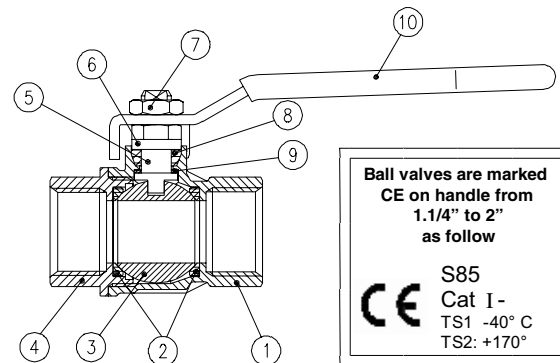
Article no.	Size	Max Pressure BAR	Price £	Price €
<b>S85B01</b>	1/4"	40	<b>£7.90</b>	<b>€8.30</b>
<b>S85C01</b>	3/8"	40	<b>£7.90</b>	<b>€8.30</b>
<b>S85D01</b>	1/2"	40	<b>£9.30</b>	<b>€9.70</b>
<b>S85E01</b>	3/4"	40	<b>£12.80</b>	<b>€13.40</b>
<b>S85F01</b>	1"	40	<b>£20.60</b>	<b>€121.60</b>
<b>S85G01</b>	1 1/4"	40	<b>£33.80</b>	<b>€35.50</b>
<b>S85H01</b>	1 1/2"	40	<b>£41.90</b>	<b>€44.00</b>
<b>S85I01</b>	2"	40	<b>£66.30</b>	<b>€69.70</b>

APPROVED BY



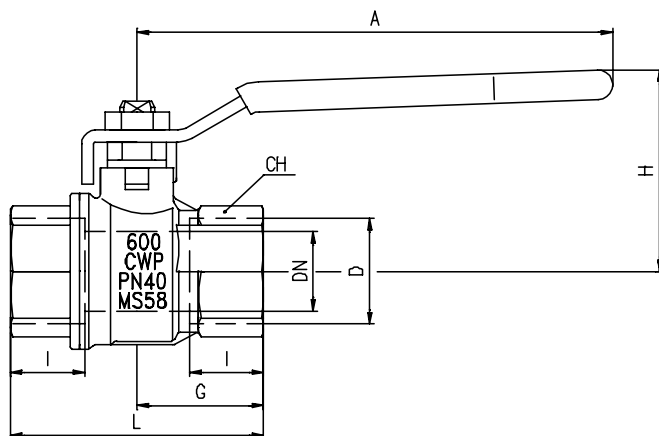
## Materials

Description	Material
1 S.85 nickel plated body	CW617N RUB001
2 Seat 00-84	PTFE RUB008
3 Chrome plated ball	CW617N RUB001
4 S.84 nickel plated end cap	CW617N RUB001
5 Nickel plated stem packing gland design	CW614N RUB001
6 Nickel plated nut with washer	CW614N RUB001
7 Dacrotized nut	C10 RUB003
8 Packing gland seal 102/9	PTFE RUB008
9 Washer 103/8	PTFE RUB008
10 Black dacrotized steel handle	Fe50 RUB003



Ball valves are marked CE on handle from 1.1/4" to 2" as follow

CE  
 S85  
 Cat I -  
 TS1 -40° C  
 TS2: +170°



## Dimensions

D	inch	1/4"	3/8"	1/2"	3/4"	1"	1 1/4"	1 1/2"	2"
<b>DN</b>	mm	8	10	15	20	25	32	40	50
<b>I</b>	mm	12	12	15.5	17	21	23	23	26.5
<b>L</b>	mm	45	45	59	64	81	93	102	121
<b>G</b>	mm	22.5	22.5	29.5	32	40.5	46.5	51	60.5
<b>A</b>	mm	82	82	100	120	120	158	158	158
<b>H</b>	mm	39.5	39.5	43	50	54	76.5	82.5	89.5
<b>CH</b>	mm	20	20	25	31	40	49	54	68.5

## Limit Switch

Article No.		Price £	Price €
<b>suffix/LS</b>	1 switch fitted	<b>£84.50</b>	<b>€114.10</b>
<b>suffix/LS2</b>	2 switches fitted	<b>£113.90</b>	<b>€153.80</b>
<b>LS</b>	switch loose	<b>£29.40</b>	<b>€39.70</b>
<b>LSB</b>	bracket only	<b>£63.00</b>	<b>€85.10</b>

