



# Nickel Plated Brass 3 Way Ball Valve 'L' & 'T' Bore

25 BAR Rated - BSP Parallel - ISO228

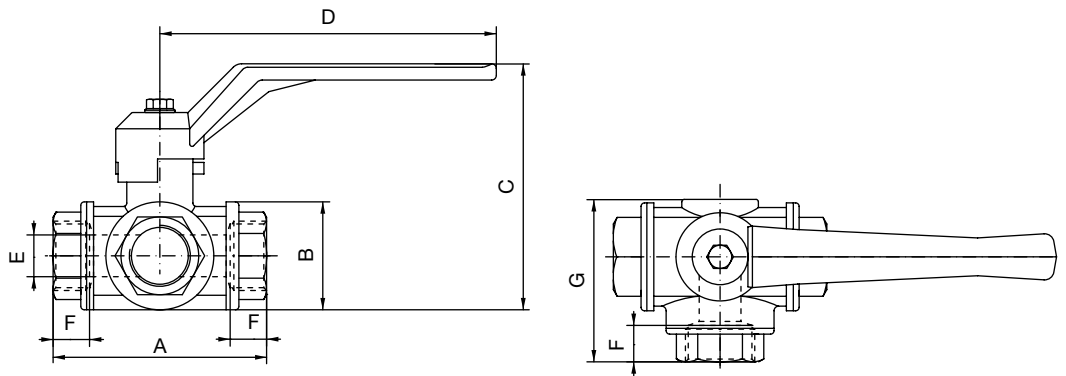
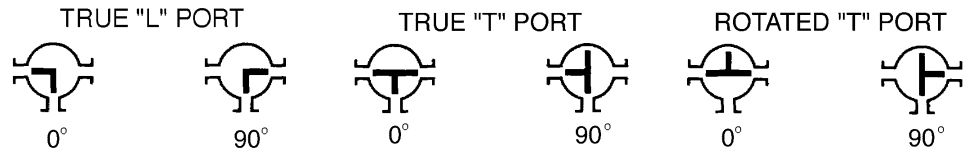


Article no. L Bore	Article no. T Bore	Size	Max Pressure BAR	Price £	Price €
12814L	12814T	1/4"	25	£30.60	€32.10
12838L	12838T	3/8"	25	£30.60	€32.10
12812L	12812T	1/2"	25	£30.60	€32.10
12834L	12834T	3/4"	25	£46.80	£49.20
12810L	12810T	1"	25	£68.60	£72.00
128114L	128114T	1 1/4"	25	£105.40	£110.60
128112L	128112T	1 1/2"	25	£146.20	£153.50
12820L	12820T	2"	25	£224.20	£235.40

### Materials

Body	Forged Brass - Nickel Plated
Ball	Brass - Chromed
Stem Seal	NITRIL
Ball Seal	PTFE
Temp. Range	-20 TO +150°C
Handle	Aluminium - Painted red

### PORT CONFIGURATIONS



### Dimensions (mm)

Size	1/4"	3/8"	1/2"	3/4"	1"	1 1/4"	1 1/2"	2"
DN	8	10	15	20	25	32	40	50
A	77	77	77	92	104	118	138	162
B	39	39	39	47	55	65	79	93
C	85	85	85	107	124	134	145	186
D	125	125	125	145	170	170	170	260
E	10	12	14	18	23	29	36	45
F	19	19	19	23	25	27	31	36
G	58	58	58	70	80	92	109	128