



316 Stainless Steel 3 Piece Ball Valve

55 - 70 BAR Rated

Threaded Female BSP - Socket Weld - Butt Weld

Materials

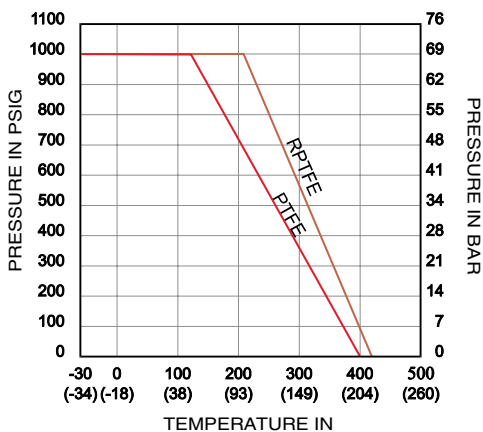
Body	Investment Cast S/S CF8M (316)
Ball	316 S/S - Mirror Finish
Stem Seal	PTFE
Ball Seal	PTFE
Temp. Range	see graph
Handle	304 S/S Lockable Open / Closed

316 STAINLESS STEEL

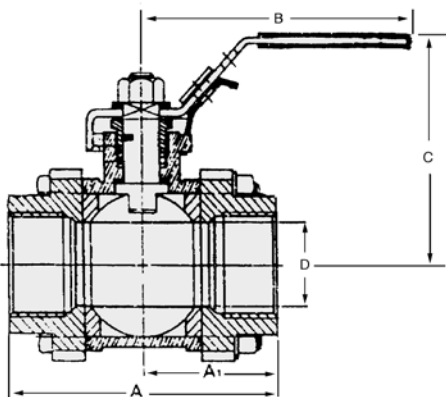
Size	Max Pressure BAR	Valve Bore	Article no.	Article no.	Article no.	Price £	Price €
			BSPP	BW	SW		
1/4"	70	10	91050	91050BW	91050SW	£28.00	€36.40
3/8"	70	10	91051	91051BW	91051SW	£28.30	€36.80
1/2"	70	15	901050	901050BW	901050SW	£35.20	€45.80
3/4"	70	20	901051	901051BW	901051SW	£44.70	€58.10
1"	70	25	901052	901052BW	901052SW	£56.30	€73.20
1 1/4"	70	32	901053	901053BW	901053SW	£81.00	€105.20
1 1/2"	70	38	901054	901054BW	901054SW	£118.30	€153.80
2"	70	50	901055	901055BW	901055SW	£164.00	€213.20
2 1/2"	55	65	901056	901056BW	901056SW	£373.10	€485.10
3"	55	80	901057	901057BW	901057SW	£497.00	€646.10
4"	55	100	901058	901058BW	901058SW	£866.80	€1,126.80

Padlock	Price £	Price €
PAD2	£11.30	€14.70

Pressure Vs. Temperature Chart



Dimensions (mm)



BSP	A	B	C	D	kg
1/4"	65	96	42	11.6	0.380
3/8"	65	96	42	12.7	0.380
1/2"	66	115	49	15.0	0.675
3/4"	83	115	52	20.0	0.800
1"	95	142	62	25.0	1.200
1 1/4"	110	142	66	32.0	2.05
1 1/2"	130	178	77	38.0	2.80
2"	151	178	85	50.8	4.350
2 1/2"	185	250	139	65	8.400
3"	212	250	150	80	14.500
4"	270	280	173	100	26.500