

316 Stainless Steel 3 Way Ball Valves

800 - 1000 PSI Rated L & T Bore

Threaded Female BSP Parallel



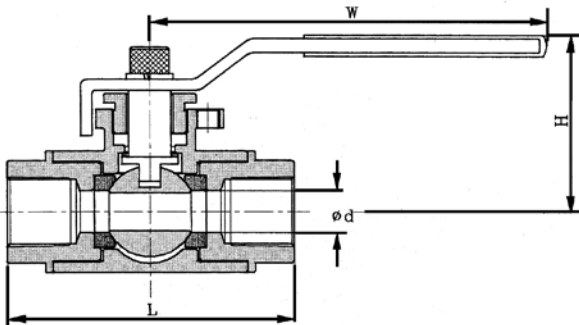
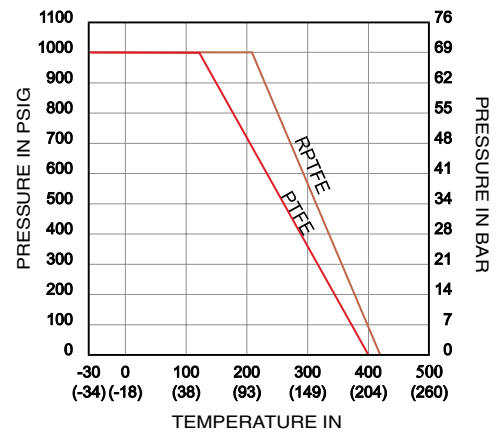
STAINLESS STEEL BALL VALVES

Materials

Body	Investment Cast Stainless Steel CF8M (316)
Ball	316 Stainless Steel - Mirror Finish
Stem Seal	PTFE
Ball Seal	PTFE
Temp. Range	see graph
Handle	304 Stainless Steel

Article no. L Bore	Article no. T Bore	Size BSP	Max Pressure PSI	Valve Bore mm	Price £	Price €
110018	110028	1/4"	1000	9.5	£88.80	€111.00
110019	110029	3/8"	1000	9.5	£89.40	€111.70
110020	110030	1/2"	1000	12	£89.90	€112.40
110021	110031	3/4"	1000	15	£105.20	€131.50
110022	110032	1"	1000	20	£141.80	€177.20
110023	110033	1 1/4"	1000	25	£184.90	€231.10
110024	110034	1 1/2"	800	32	£264.00	€330.00
110025	110035	2"	800	40	£392.90	€491.10

Pressure Vs. Temperature Chart

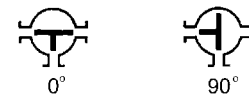


Dimensions (mm)

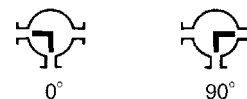
size	ød	l	h	w	Cv
1/4"	9.5	72	63	58	6
3/8"	9.5	72	63	158	6
1/2"	12	72	63	158	9
3/4"	15	83	75	158	12
1"	20	110	82	185	14
1 1/4"	25	125	88	185	14
1 1/2"	32	125	90	235	30
2"	40	149	100	235	50

PORT CONFIGURATIONS

TRUE "T" PORT



TRUE "L" PORT



ROTATED "T" PORT

