



**Bottom entry  
version on request**

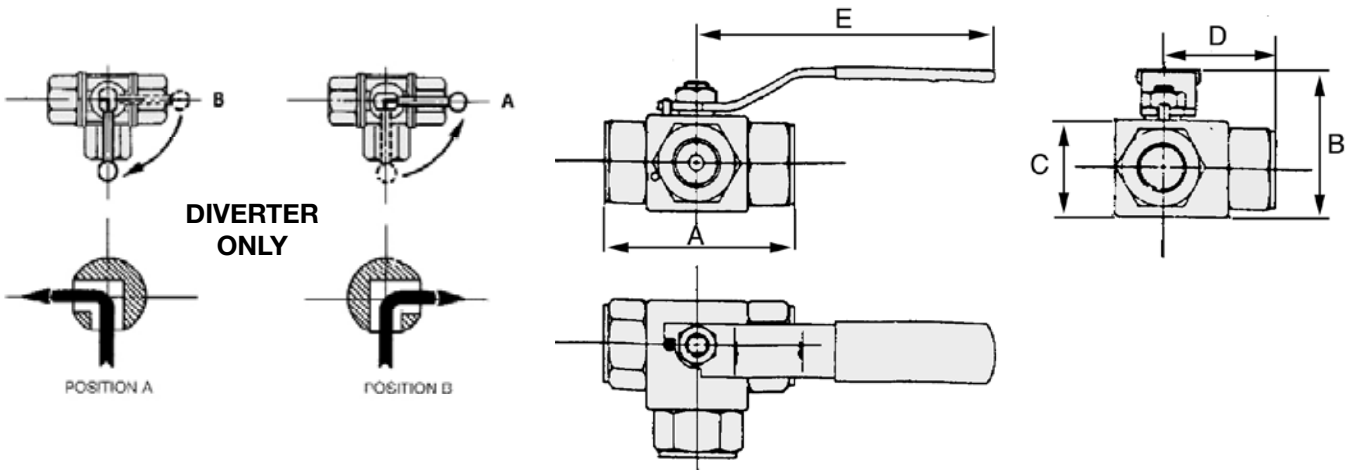
## 316 Stainless Steel 3 Way 'L' Bore Ball Valves

**400 BAR / 6000 PSI Rated**

Article no. NPT	Article no. BSP	Size BSP	Max Pressure BAR	Price £	Price €
97001	97004	1/4"	400	£153.90	€192.40
97002	97005	3/8"	400	£152.50	€190.60
97003	97006	1/2"	400	£170.00	€212.50
97007	98296	3/4"	400	£229.00	€286.20
97008	98651	1"	400	£333.30	€416.70

### Materials

Body	316 Stainless Steel
Stem	316 Stainless Steel
Stem Seal	RTFE
Ball Seal	PVDF
Temp. Range	-30 to +150°C



### Dimensions (mm)

SIZE	A	B	C	D	E	BORE	kg
1/4"	71	61	32	34	115	10	0.46
3/8"	75	61	32	36	115	10	0.52
1/2"	83	61	32	40	115	10	0.60
3/4"	90	69	38	45	115	12.7	0.90
1"	109	90	50	54	165	20	1.70