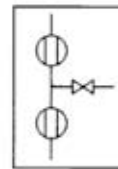


D Type Double Block & Bleed

Machined from a single piece 'grain flow controlled' forging. This valve features two in-line ball pattern primary and secondary isolating valves with a heavy duty needle valve vent, offering 'through to process' rodding in bore sizes from 10mm to 20mm (0.4" to 0.8").

This all forged manifold comprises two in-line ball primary and secondary isolating valves with a heavy duty needle valve vent. Offering through to process rodding in bore sizes from 10mm to 14mm (0.4" to 0.55").



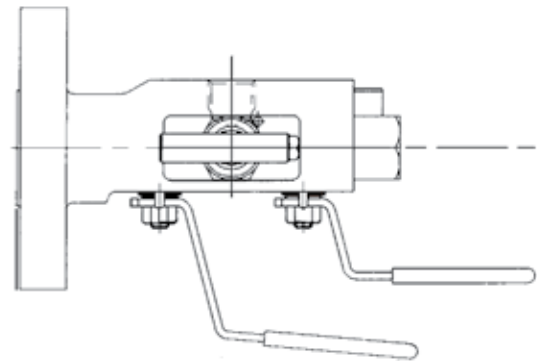
oliver valves



STAINLESS STEEL BALL VALVES

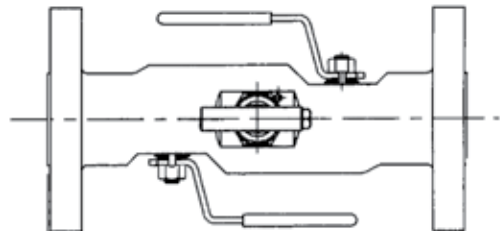
Flange to Pipe

Size Ranges		
BALL VALVE BORE 0.40"/10mm CV 6.3	BALL VALVE BORE 0.55"/14mm CV 11.7	BALL VALVE BORE 0.80"/20mm CV 27.9
Flange size 1/2" NB to 2" NB, Flange Classes 150 to 2500 RF & RTJ	Flange size 3/4" NB to 2" NB, Flange Classes 150 to 2500 RF & RTJ	Flange size 1" NB to 2" NB, Flange Classes 150 to 2500 RF & RTJ Option – 3" NB, 150 to 2500
Outlet connection: 1/2" NPT female standard. Vent connection: 1/2" NPT female standard	Outlet connection: 3/4" NPT female standard. Vent connection: 1/2" NPT female standard.	Outlet connection: 1" NPT female standard. Vent connection: 1/2" NPT female standard.



Flange to Flange

Size Ranges		
BALL VALVE BORE 0.40"/10mm CV 6.3	BALL VALVE BORE 0.55"/14mm CV 11.7	BALL VALVE BORE 0.80"/20mm CV 27.9
Flange size 1/2" NB to 2" NB, Flange Classes 150 to 2500 RF & RTJ	Flange size 3/4" NB to 2" NB, Flange Classes 150 to 2500 RF & RTJ	Flange size 1" NB to 2" NB, Flange Classes 150 to 2500 RF & RTJ
Outlet connection: Flange size & Class can be different from inlet. Vent connection: 1/2" NPT female standard.	Outlet connection: Flange size & Class can be different from inlet. Vent connection: 1/2" NPT female standard.	Outlet connection: 1" NPT female standard. Vent connection: 1/2" NPT female standard.



CARBON STEEL

Standard specification – ASTM A350 LF2 body material with BS970 316 S11/S31 barstock stainless steel trims, Inserts. End adaptors with PTFE seats and PTFE/Graphite seals and gland packings.

Standard 1/4 turn lever 1/2 turn to vent. All end adaptors have Oliver BLOK-LOK protection against accidental disassembly.

DUPLEX STAINLESS STEEL

Standard specification – ASTM A182 F51 body material with UNS S31803 barstock steel trims, Inserts, End adaptors with PTFE seats and PTFE/Graphite seals and gland packings. Standard 1/4 turn lever 1/2 turn to vent. All end adaptors have Oliver BLOKLOK protection against accidental disassembly.

STAINLESS STEEL

Standard specification – ASTM A182 F316 body material with BS970 316S11/S31 barstock stainless steel trims, Inserts, End adaptors with PTFE seats and PTFE/Graphite seals and gland packings. Standard 1/4 turn lever 1/2 turn to vent. All end adaptors have Oliver BLOK-LOK protection against accidental disassembly.