

TOSACA
Safety relief valves



Model 1216 – Safety Relief Valve

Description

Type Safety and Relief valve
Connections Threaded BSP / NPT
Rating PN-40
Material Stainless steel 316 L
Temperature range -10 to +350°C
Cryogenic service until -196°C

Requirements

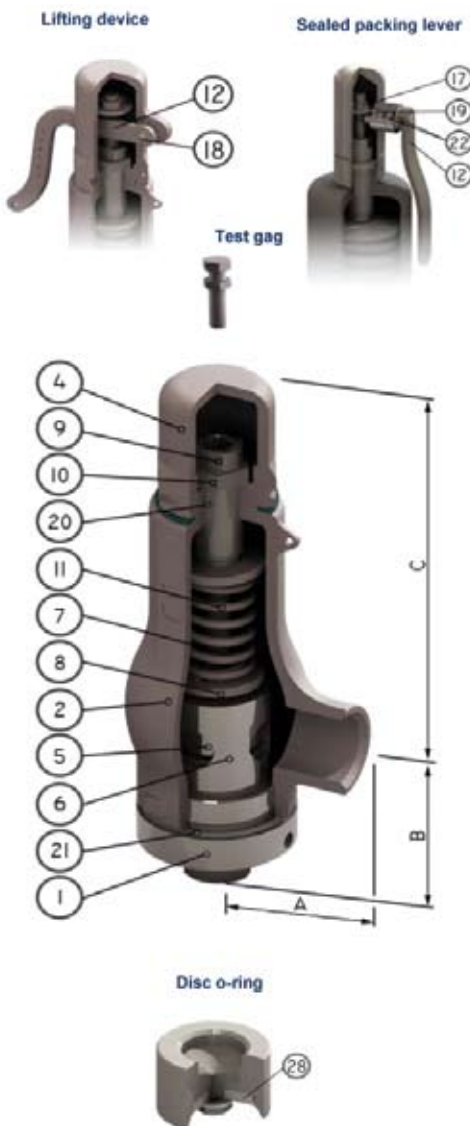
Calculation EN-4126-1 / 7
Design EN-12516-1, EN-4126-1 / 7
DIN 259 and ANSI B2.1
Materials EN
Inspection EN-4126-1 / 7

Technical Information

Applications Steam, gases, vapours and liquids
Min. Set pressure 0,2 barg
Overpressure 10%
Blowdown Gases 10%, liquids 20%
Tolerance Set pressure ± 3%
Discharge coefficients k=0,55 for gases
k=0,48 for liquids

Dimensions (mm)

Inlet	Outlet	Orifice	Area (mm ²)	A	B	C	Weight (kg)	Price £	Price €
1/2"	3/4"	13	133	45	57	155	2.2	£249.70	€262.20
1/2"	1"	13	133	45	57	155	2.2	£279.40	€293.40
3/4"	1"	14	154	45	57	155	2.2	£279.40	€293.40
1"	1"	16	201	45	60	155	2.2	£279.40	€293.40
1"	1 1/4"	16	201	45	61	155	2.3	£293.40	€308.10
1"	2"	22	380	62	87	234	4.5	£480.30	€504.30
1 1/4"	1 1/4"	18	254	45	62	155	2.4	£326.60	€342.90
1 1/2"	2"	28	616	62	89	234	4.6	£480.30	€504.30
2"	2"	32	804	62	93	234	5.1	£504.70	€529.90



Construction and Materials

Item	Description	Material	
		Standard	Cryogenic
1	Nozzle	SA 351 CF-3M	SA 351 CF-3M
2	Body	SA 351 CF-3M	SA 351 CF-3M
4	Cap	SA 351 CF 8	SA 351 CF 8
5*	Disc	316 L SS	316 L SS
6	Guide	SA 351 CF-3M	SA 351 CF-3M
7	Push Rod	316 L SS	316 L SS
8	Spring Button	303 SS	303 SS
9	Adjusting Screw	303 SS	303 SS
10	Tension Nut	303 SS	303 SS
11*	Spring	303 SS	17 / 7PH
12	Lever	SA 351 CF 8	SA 351 CF 8
17	Release nut	306 L SS	306 L SS
18*	Lever axis	303 SS	303 SS
19	Packing lever axis	303 SS	303 SS
20*	Gasket	PTFE	PCTFE
21*	Gasket	PTFE	PCTFE
22*	Gasket	Viton	PCTFE
28*	Soft seat	Viton / PTFE	Metal

* Recommended spare parts

