

Pipeline Y Strainers IS 140

40 BAR Rated

IS140 strainers are applicable to all types of steam, water, oil and air systems.

Their purpose is to protect traps, regulating valves, piping, etc. from dirt which often causes of damage and consequent energy loss of fluid systems.

Connections are female screwed.

Options: Different screen aperture sizes
 Drain plug or drain valve in strainer cap
 Use: Saturated steam, water, oil, air and other compatible fluids.

Available

Models: IS 140S – Cast steel
 IS 140I – Stainless steel
 Sizes: DN ½" to DN 2"
 Screens: 0.8 mm aperture
 Connections: Female screwed ISO 7/1 Rp (BS21)
 Installation: Horizontal or vertical downstream installation.



Carbon Steel Y Strainer Type IS140S

Article no.	Size	Max Pressure BAR	Price £	Price €
445683	1/2"	40	£59.40	€62.40
445684	3/4"	40	£78.40	€82.40
445685	1"	40	£103.90	€109.10
445686	1 1/4"	40	£156.90	€164.70
445687	1 1/2"	40	£195.10	€204.90
445688	2"	40	£273.60	€287.20

IS 140S		IS 140I	
Allowable Pressures	Related Temp.	Allowable Pressures	Related Temp.
40 bar	-10 /50°C	40 bar	-10 /50°C
33.3 bar	200°C	33,7 bar	200°C
27.6 bar	300°C	29.7 bar	200°C
25.7 bar	350°C	28.5 bar	350°C
23.8 bar	400 °C	27.4 bar	400 °C

316 Stainless Steel - Y Strainer Type IS140I

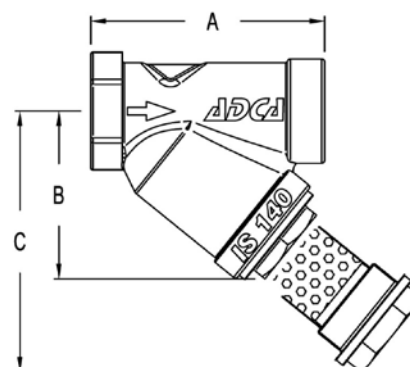
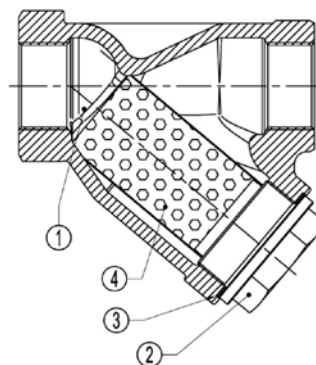
Article no.	Size	Max Pressure BAR	Price £	Price €
348503	1/2"	40	£83.70	€87.90
348504	3/4"	40	£114.70	€120.40
348505	1"	40	£131.50	€138.00

Materials

	IS 140S	IS 140I
1 Body	ASTM A216WCB 1.0619	CF8M / 1.4408
2 Cap	A105 / 1.0432	AISI316 / 1.4401
3 Gasket*	St.Steel / Graphite	St.Steel / Graphite
4 Strainer screen*	AISI304 / 1.4301	AISI304 / 1.4301

Dimensions (mm)

Size	A	B	C	Kgs
1/2"	85	63	107	0,6
3/4"	100	80	139	1
1"	115	87	155	1,5
1 1/4"	143	107	192	2,5
1 1/2"	160	125	215	3,6
2"	198	142	242	5,7



CE MARKING (PED - European Directive 97/23/EC)	
PN 40	Category
DN 15 to DN 32	SEP - art. 3, paragraph3
DN 40 and DN 50	1 (CE Marked)