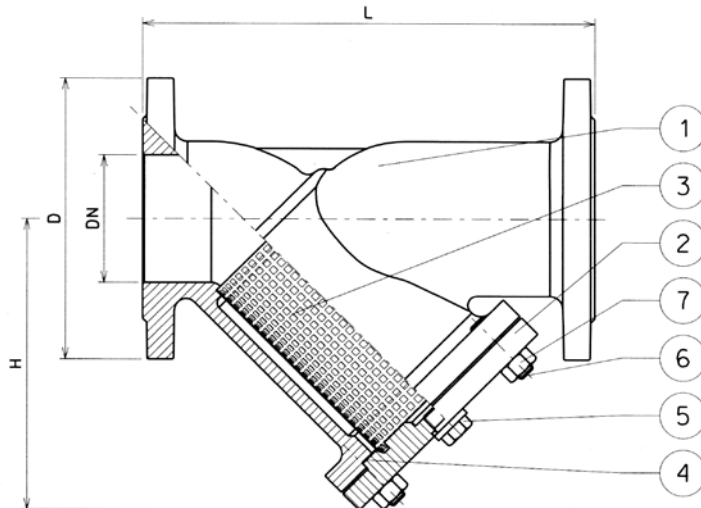
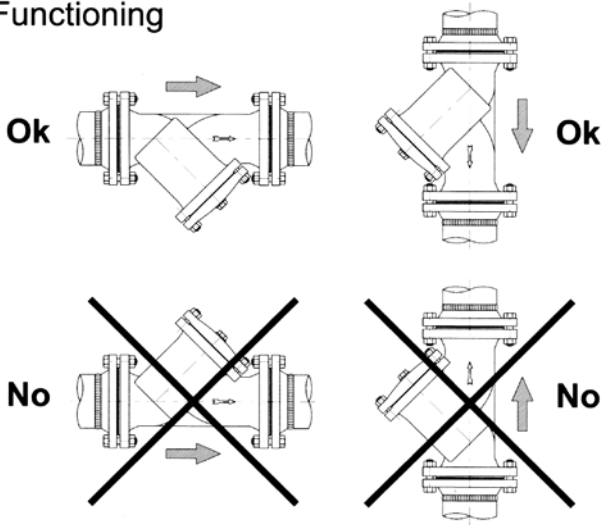


Cast Iron and Nodular Cast Iron Strainers

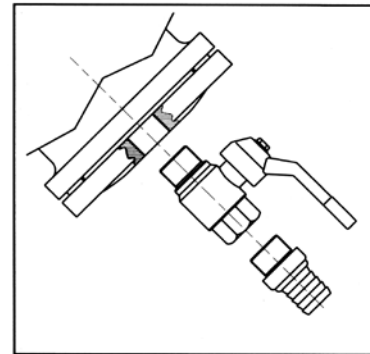


Sediment collecting strainers 'Y' type – PN16-25

Functioning



On request



Part	Part Name	Art. 265	Art. 266
1	Body	EN-GJL-250	EN-GJS-400-18-LT
2	Cover	EN-GJL-250	EN-GJS-400-18-LT
3	Screen	St Steel 1.4301	St Steel 1.4301
4	Gasket	Graphite + St Steel	Graphite + St Steel
5	Plug > DN65	Carbon Steel	Carbon Steel
6	Studs	Carbon Steel	Carbon Steel
7	Nuts	Carbon Steel	Carbon Steel

Dimensions (mm)

DN	15	20	25	32	40	50	65	80	100	125	150	200	250	300
D (mm)	95	105	115	140	150	165	185	200	220	250	285	340	405	460
L (mm)	130	150	160	180	200	230	290	310	350	400	480	600	730	850
H (mm)	75	75	90	90	110	120	140	165	220	260	300	360	470	560
Kv (m³/h)	5.3	9.5	16.5	20	33	54	95	140	201	340	526	870	1260	1735
Kg (Art. 265)	2.4	3	3.8	5.2	6.8	9	11.8	16.8	25.2	37	58	112	162	195
Kg (Art. 266 PN16)	2.6	3.4	4	5.8	7.2	9.6	13.6	17	27.6	37.2	56.6	124	160.8	189
Kg (Art. 266 PN25)	2.6	3.4	4	5.8	7.2	9.6	13.2	17.8	29	39.6	58.6	128	168	195

Cast Iron and Nodular Cast Iron Strainers

Sediment collecting strainers 'Y' type – PN16-25



STRAINERS & CHECK VALVES

Article no.	Size	Price £	Price €
MIV26504	1/2"	£46.80	€49.20
MIV26505	3/4"	£57.10	€59.90
MIV26506	1"	£60.00	€63.00
MIV26507	1 1/4"	£73.10	€76.80
MIV26508	1 1/2"	£90.70	€95.20
MIV26510	2"	£106.80	€112.10
MIV26512	2 1/2"	£137.50	€144.40
MIV26514	3"	£177.00	€185.90
MIV26518	4"	£250.10	€262.70
MIV26519	5"	£359.90	€377.90
MIV26520	6"	£585.10	€614.40
MIV26521	8"	£1,139.60	€1,196.50
MIV26522	10"	£2,129.90	€2,236.40
MIV26524	12"	£3,537.20	€3,714.00

Art. 265 - PN 16

Manufactured in Cast Iron



WORKING CONDITIONS

Temperature °C	-10 / 50	150	200	250	300
Pressure BAR	16	14.4	12.8	11.2	9.6

Article no.	Size	Price £	Price €
MIV26604	1/2"	£71.70	€75.30
MIV26605	3/4"	£79.00	€82.90
MIV26606	1"	£89.20	€93.70
MIV26607	1 1/4"	£105.30	€110.60
MIV26608	1 1/2"	£137.50	€144.40
MIV26610	2"	£163.80	€172.00
MIV26612	2 1/2"	£219.40	€230.40
MIV26614	3"	£285.30	€299.50
MIV26618	4"	£478.40	€502.30
MIV26619	5"	£713.90	€749.60
MIV26620	6"	£1,031.30	€1,082.90
MIV26621	8"	£1,865.10	€1,958.40
MIV26622	10"	£3,215.40	€3,376.10
MIV26624	12"	£5,248.70	€5,511.20

Art. 266 - PN 16

Manufactured in Nodular Cast Iron



WORKING CONDITIONS

Temperature °C	-10 / 50	150	200	250	300	350
Pressure BAR	16	15.5	14.7	13.9	12.8	11.2

Article no.	Size	Price £	Price €
MIV26612PN25	2 1/2"	£234.10	€245.80
MIV26614PN25	3"	£285.30	€299.50
MIV26618PN25	4"	£493.00	€517.60
MIV26619PN25	5"	£731.40	€768.00
MIV26620PN25	6"	£1,066.40	€1,119.70
MIV26621PN25	8"	£1,891.50	€1,986.00
MIV26622PN25	10"	£3,247.50	€3,409.90
MIV26623PN25	12"	£5,278.00	€5,541.90

Art. 266 - PN 25

Manufactured in Nodular Cast Iron



WORKING CONDITIONS

Temperature °C	-10 / 50	150	200	250	300	350
Pressure BAR	25	24.3	23	21.8	20	17.5