



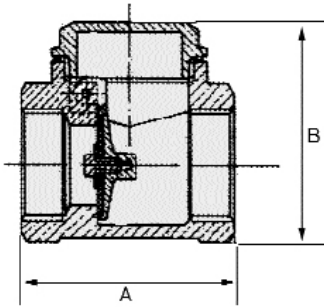
### Brass Swing Check Valves

8 – 12 BAR Rated – Single Acting Check Valve – Series ART 130

Article no. RUBBER SEAT NBR	Article no. METAL SEAT	Size BSP	Max Pressure BAR	Max Flow LPM	Price £	Price €
10080	10080M	3/8"	12	25	£6.80	€7.20
10081	10081M	1/2"	12	30	£6.30	€6.60
10082	10082M	3/4"	12	70	£8.60	€9.10
10083	10083M	1"	12	80	£12.70	€13.40
10084	10084M	1 1/4"	10	180	£19.00	€19.90
10085	10085M	1 1/2"	10	210	£24.70	€25.90
10086	10086M	2"	10	360	£34.60	€36.30
	10087	2 1/2"	8	480	£69.40	€72.80
	10088	3"	8	960	£95.60	€100.40
	10089	4"	8	1200	£172.60	€181.30

#### Technical Specifications

Brass Construction  
Temp Range = -20°C to +110°C  
Available with NITRIL soft seat up to size 2" as standard



#### Dimensions – Series ART 130

Size	BSP	3/8"	1/2"	3/4"	1"	1 1/4"	1 1/2"	2"	2 1/2"	3"	4"
A	mm	43	43	52	62	72	81	94	119	134	169
B	mm	50	50	59.5	68	77	88	100	128	148	185



### Stainless Steel Swing Check Valves

200 PSI Rated - Single Acting Check Valve

Article no. BSP	Size BSP	Price £	Price €
710081	1/2"	£18.10	€19.10
710082	3/4"	£21.60	€22.70
710083	1"	£43.30	€45.50
710084	1 1/4"	£55.30	€58.00
710085	1 1/2"	£65.80	€69.10
710086	2"	£101.40	€106.40
710087	3"	£450.60	€473.10

#### Technical Specifications

Temp Range = -30°C to +200°C

#### Dimensions

Size	BSP	1/4"	3/8"	1/2"	3/4"	1"	1 1/4"	1 1/2"	2"
A	mm	66	66	66	81	91	106.5	121	142
B	mm	46	46	46	54	60	72	75	82

