

316 Stainless Steel Non-Return Valve – RT 25

25 BAR Rated



STRAINERS & CHECK VALVES

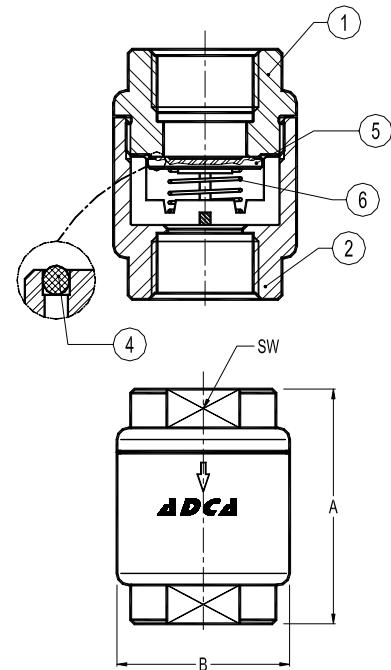
Article no.	Size BSP	Max Pressure BAR	Price £	Price €
443625	1/4"	25	£89.10	€93.50
441513	3/8"	25	£89.10	€93.50
445595	1/2"	25	£89.10	€93.50
445628	3/4"	25	£107.00	€112.30
445629	1"	25	£118.70	€124.60
445679	1 1/4"	25	£205.70	€216.00
445639	1 1/2"	25	£257.10	€270.00
445680	2"	25	£324.20	€340.60

Materials

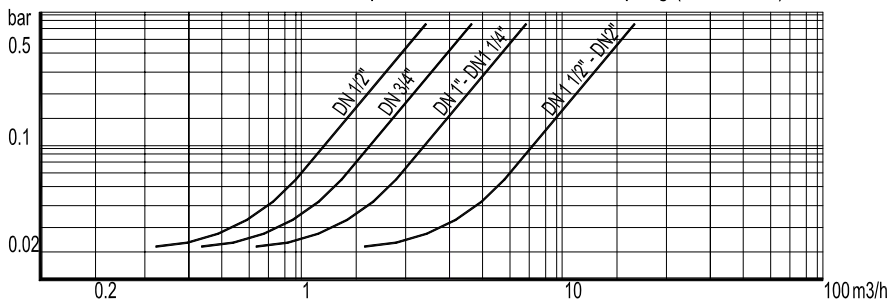
1	Valve Body	AISI 316 / 1.4401
2	Cover	AISI 316 / 1.4401
4	Soft Seal	Metal To Metal – Standard VITON – On Request EPDM – On Request PTFE – On Request
5	*Valve Disc	AISI 316 / 1.4401
6	*Spring	AISI 302 / 1.4300
* Available spare parts		

Dimensions (mm)

DN	3/8"	1/2"	3/4"	1"	1 1/4"	1 1/2"	2"
A	55	55	60	70	61	72	72
B	40	40	45	50	65	80	80
SW	27	27	32	41	50	55	70
Kgs	0.3	0.3	0.38	0.45	0.68	0.96	1.13



Pressure drop, horizontal flow, standard spring (water - 20°)



To determine the pressure drop of other mediums the equivalent water flow volume has to be calculated: $V_w = \sqrt{\frac{Q}{1000}} \times V$

V_w = Equivalent water flow volume in m³/h ; Q = Density in Kg/m³ ; V = Flow volume in m³/h

Spring cracking pressure = 0.2BAR