

# 316 Stainless Steel Swing Disc Wafer Check Valve - Type 627V



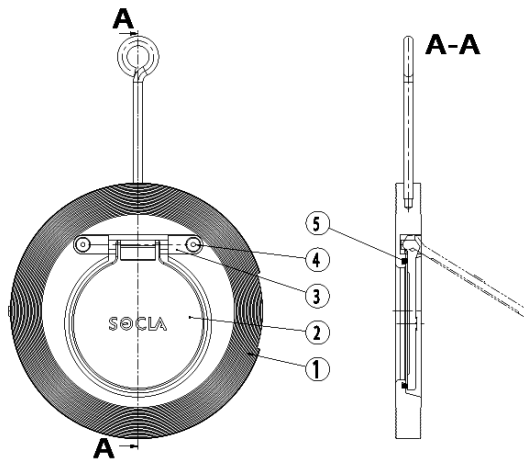
- Can be installed horizontally or vertically facing upwards.
- Compact
- Robust and reliable
- Simple design, easy installation
- PN16 up to DN150
- Industrial processes , general water circuits, hydrocarbons
- Maximum service velocity : 5m/s
- Temperature -10 °C to 150 °C
- Mediums : Clear liquids, hydrocarbons
- Standard = with VITON O ring

	DN		PFA in BAR	L1	L2	G1	G2	Cat
	mm	PN						
11/2"	40	10/16	16	10	10	10	10	I
2"	50	10/16	16	10	10	10	10	I
21/2"	65	10/16	16	10	10	10	10	I
3"	80	10/16	16	10	10	10	10	I
4"	100	10/16	16	10	10	10	10	I
5"	125	10/16	16	10	10	0,5	10	I
6"	150	10/16	16	10	10	0,5	10	I
8"	200	10	10	10	10	0,5	10	I
10"	250	10	10	10	10	0,5	10	I
12"	300	10	10	10	10	0,5	10	I

Article no.	Price £	Price €
149F021226	£122.90	€159.80
149F021227	£134.80	€175.30
149F021228	£162.90	€211.80
149F021318	£189.10	€245.90
149F021319	£209.00	€271.70
149F021320	£292.20	€379.80
149F021321	£393.20	€511.10
149F021322	£698.50	€908.10
149F021323	£1,150.10	€1,495.10
149F021324	£1,647.40	€2,141.60

## Materials

Nb	Description	Materials
1	Casing	316 Stainless Steel
2	Disc	316 Stainless Steel
3	Disc Holding	316 Stainless Steel
4	Screw	316 Stainless Steel
5	Seal	FKM Viton



## Dimensions (mm)

DN	A	D	E
40	22	94	16
50	32	106	16
65	42	129	16
80	53	144	16
100	71	162	16
125	94	194	16
150	114	220	19
200	164	275	28
250	199	331	32
300	240	380	38

