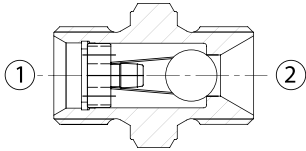
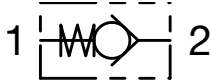
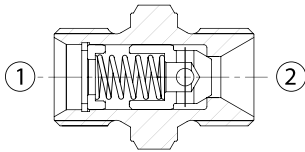
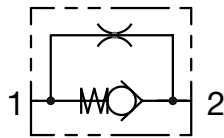




Hydraulic Circuit - SF



Hydraulic Circuit - SP with orifice restriction hole for controlled flow control



Male x Male Check Valve

500 BAR Rated

Technical Data

Mineral oil	ISO 6743/4 (DIN 51524)
Fluid viscosity	15-500 mm ² /s (6 to 420 cSt)
Max contamination index with filter	ISO 4406:1999 Classe 19/17/14
Fluid temperature	-20°C +80°C
Ambient temperature	-20°C +50°C
Filter use is necessary to protect the valve (advised filtration 15 micron)	
Leakage	0-0.25 cm ³ /min

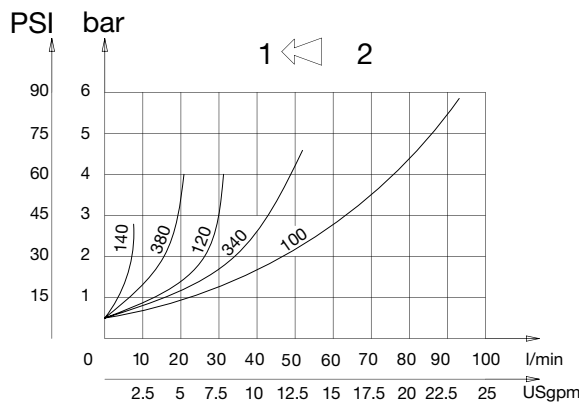
Article no.	Size	Price £	Price €
VUN140SP1	1/4"	£11.10	€11.70
VUN140SF1	1/4"	£7.60	€8.00
VUN380SP1	3/8"	£11.50	€12.10
VUN380SF1	3/8"	£8.00	€8.40
VUN120SP1	1/2"	£12.20	€12.80
VUN120SF1	1/2"	£9.30	€9.70
VUN340SP1	3/4"	£13.70	€14.40
VUN100SP1	1"	£21.50	€22.50

Ordering code

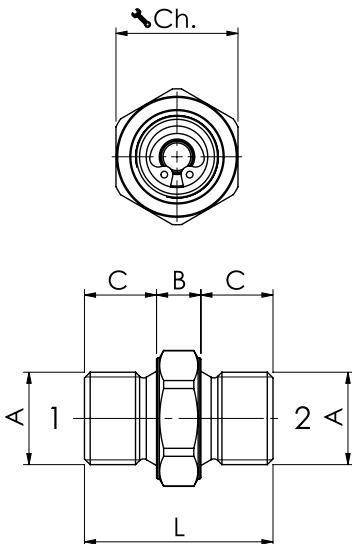
VCCL - X - Y - K

X	Size	Y	Sealing	K	Spring
140	BSPP 1/4	SF	Ball sealing only for VUN/140/380/120	1	1 bar - Standard
380	BSPP 3/8			3	5 bar
120	BSPP 1/2			4.5	4.5 bar
340	BSPP 3/8	SP	Poppet sealing	6	6 bar
100	BSPP 1/2				

Pressure Drop



Dimensions



Code	A	Max Flow	Max Pressure	L (mm)	B (mm)	C (mm)	Ch.	Weight Kg
VUN140	BSPP1/4	5 l/min	500 bar	29	7	11	19	0.03
VUN380	BSPP3/8	15 l/min		34	8	13	22	0.05
VUN120	BSPP1/2	30 l/min		44	16	14	27	0.11
VUN340	BSPP3/4	50 l/min		50	16	17	32	0.18
VUN100	BSPP1	90 l/min		57	19	19	41	0.32