



## Check Valve with SAE Adapter

**210 BAR Rated (420 bar on request)**  
**3/4" - 2"**

The MHA ZENTGRAF high-pressure check valve RVZ-SAE complies with SAE 3000 (ISO 6162-1). The valve can be flanged directly against a manifold block or between two flanges.

The RVZ-SAE valve can be combined with the MHA ZENTGRAF high-pressure flanged ball valve KHZ-SAE.

- 2 bar cracking pressure, others on request
- Sealing options: inlet, outlet, both sided or without sealing
- Threaded pattern on request
- Standardized SAE connection, space-saving, user-friendly, reliable and low-maintenance

### SAE 210 BAR

Article no.	Size DN	Price £	Price €
<b>55425</b>	20	<b>£308.10</b>	<b>€323.50</b>
<b>55394</b>	25	<b>£347.80</b>	<b>€365.20</b>
<b>55395</b>	32	<b>£392.10</b>	<b>€411.70</b>
<b>54350</b>	40	<b>£462.40</b>	<b>€485.50</b>
<b>55426</b>	50	<b>£701.50</b>	<b>€736.60</b>

Article no.	Size DN	Price £	Price €
<b>55443</b>	20	<b>£48.80</b>	<b>€51.30</b>
<b>55444</b>	25	<b>£49.60</b>	<b>€52.10</b>
<b>55445</b>	32	<b>£56.90</b>	<b>€59.80</b>
<b>55446</b>	40	<b>£73.10</b>	<b>€76.80</b>
<b>55447</b>	50	<b>£94.00</b>	<b>€98.70</b>

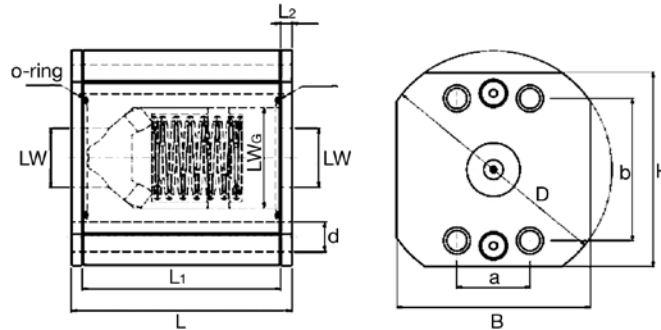
### SAE420 BAR

Article no.	Size DN	Price £	Price €
<b>55731</b>	20	<b>£375.20</b>	<b>€393.90</b>
<b>55721</b>	25	<b>£381.20</b>	<b>€400.30</b>
<b>55716</b>	32	<b>£438.60</b>	<b>€460.50</b>
<b>55022</b>	40	<b>£575.40</b>	<b>€604.20</b>
<b>55726</b>	50	<b>£944.30</b>	<b>€991.60</b>

Article no.	Size DN	Price £	Price €
<b>554431</b>	20	<b>£53.70</b>	<b>€56.40</b>
<b>554442</b>	25	<b>£54.60</b>	<b>€57.30</b>
<b>554453</b>	32	<b>£62.60</b>	<b>€65.70</b>
<b>554464</b>	40	<b>£80.40</b>	<b>€84.40</b>
<b>554475</b>	50	<b>£103.40</b>	<b>€108.20</b>

### Materials

Body	Steel
Poppet	Steel
Seat	Polyurethane
O-rings	NBR
Temperature	-20°C to 100°C

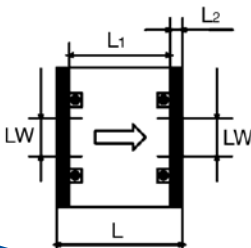


### Dimensions (mm)

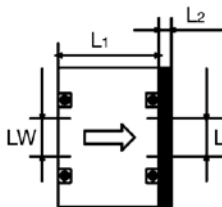
Connection	DN	LW	LW <sub>G</sub>	L	L <sub>1</sub>	L <sub>2</sub>	D	B	H	a	b	d	M	t	pÖ (Mpa)	PN (Mpa)	Part No.	
SAE210	15																	
SAE210	20																	
SAE210	25	17	28	61	53	4	97	70	80	26,2	52,4	11	M10	16	0,2	21	55394	
SAE210	32	22	37,3	82	74	4	98	80	80	30,2	58,7	11	M10	22	0,2	21	55395	
SAE210	40	28	43	89	81	4	118	90	95	35,7	69,9	13	M12	21	0,2	21	54350	
SAE210	50																	

### Options

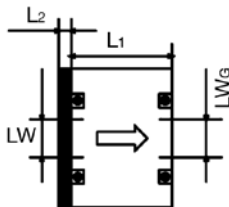
**Option A**  
without seals



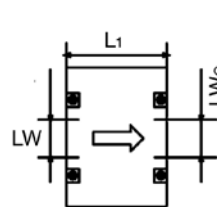
**Option B**  
inlet side sealed



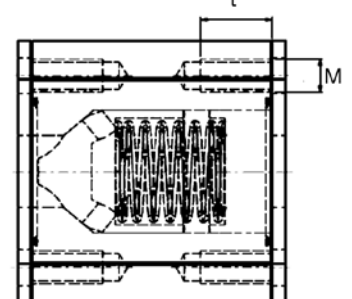
**Option C**  
outlet side sealed



**Option D**  
seals on both sides



**Option E**  
with threaded holes



Valve is supplied with 2 x 'O' rings and 2 x holding plates.  
This facilitates all options A - D