



## Series: FIRG - Flat Face

**Standard Hydraulic Applications**  
**– Not Suitable for pulse/hammer applications**

### Technical Features and Options

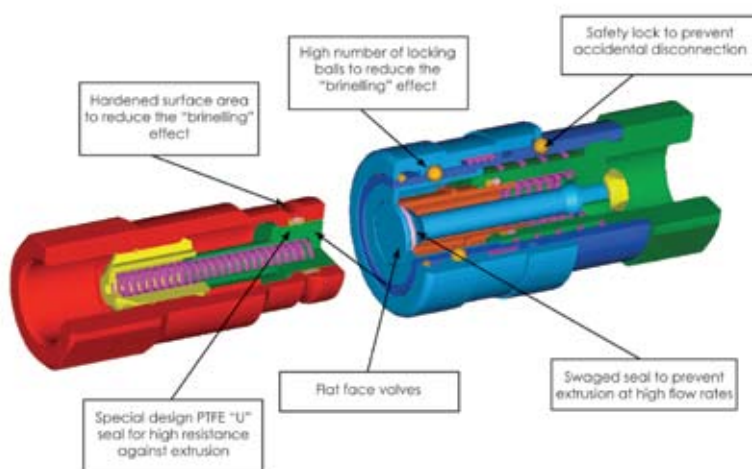
- Interchangeability: ISO 16028 (from size 6.3 to 25) HTMA (size 10)
- Valve system: Flat face
- Mechanical connection: Locking balls
- Connection system: Pushing one half towards the other
- Disconnection system: Pulling back the sleeve of female
- Connection with residual pressure: Not allowed
- Disconnection with residual pressure: Not allowed
- Threads available: BSP, NPT, SAE
- Temperature range:  
 Standard seals NBR (Nitrile): from -20°C to +100°C (from -4°F to +212°F).  
 VITON seals: from -15°C to +180°C (from +5°F to +356°F).

### Materials

Construction: Carbon steel  
 Surface treatment: CrIII zinc plated  
 External springs: AISI 302  
 Internal springs: C72 steel  
 Balls: Hard steel 100 C6  
 Seals: standard in NBR (Nitrile)  
 Seals on request: VITON or others  
 Anti-extrusion rings: PTFE

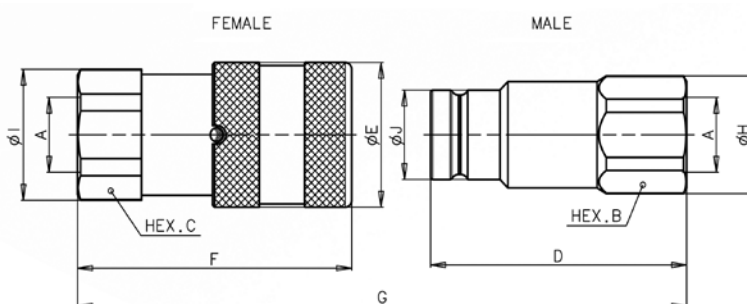
### How To Use

- Before connection, clean the flat mating surface of the quick coupling to avoid the inclusion of dirt into the circuit.
- To connect push the male half towards the female half or vice versa.
- Once connected, to prevent accidental disconnection, turn the external sleeve to engage lock function.
- To uncouple turn the external sleeve until the sleeve lock groove corresponds with the safety lock ball and pull back the sleeve.



### Warning!

- Do not use the female coupling disconnected with impulse pressure.
- Do not couple-uncouple with flow and/or pressure in the circuit.
- Do not couple-uncouple when the temperature inside of the circuit is higher than 80°C (176°F).
- When the couplings are disconnected, we recommend the use of protection caps.



### Dimensions (mm)

Description	A	B	C	D	E	F	G	H	I	J	Weight	Male	Female
FIRG14 BSP	1/4	22	22	47.	9 28	48.1	85.2	23.8	23.8	16.1	Kg	0.086	0.140
FIRG38 BSP	3/8	24	27	60	32	64.2	108.7	26	29	19.7	Kg	0.121	0.235
FIRG12 BSP	1/2	27	27	62.5	32	69.2	116.2	29	29	19.7	Kg	0.128	0.237
FIRG12A BSP	1/2	32	32	68	38	73.8	124.5	33.8	33.8	24.5	Kg	0.233	0.375
FIRG34 BSP	3/4	36	36	70.	5 38	80.8	134	38.5	38.5	24.5	Kg	0.227	0.413
FIRG34B BSP	3/4	36	36	70.5	42	78.5	131.4	38.5	38.5	27	Kg	0.268	0.479
FIRG34A BSP	3/4	41	41	82.3	48	88.7	149	44.8	44.8	30	Kg	0.445	0.750
FIRG100 BSP	1	45	45	82.3	48	93.2	153.5	47.8	47.8	30	Kg	0.394	0.767
FIRG114 BSP	1-1/4	55	55	89.8	55	106	172.8	59.8	59.8	36	Kg	0.641	1.215
FIRG112 BSP	1-1/2	65	65	111.1	80	132.4	214.9	69.8	72	57	Kg	1.665	2.820
FIRG200 BSP	2	75	80	123.8	100	156.6	241.5	83.5	88.5	73	Kg	2.259	5.100



# Series: FIRG - Flat Face

## Performance

	Size	ISO Size	Max. flow suggested		Connect force		Disconnect force		Spillage*
	Inch	mm	l/min	GPM	N	lbf	N	lbf	ml
FIRG14	1/4	6.3	24	6.36	140	31.50	40	9.00	0.006
FIRG38-12	3/8	10.0	46	12.19	150	33.75	40	9.00	0.012
FIRG12A-34	1/2	12.5	90	23.85	160	36.00	60	13.50	0.020
FIRG34B	5/8	16.0	148	39.22	180	40.50	55	12.38	0.026
FIRG34A	3/4	19.0	170	45.05	270	60.75	90	20.25	0.032
FIRG100	3/4	19.0	200	53.00	240	54.00	65	14.63	0.032
FIRG114	1	25.0	378	100.17	310	69.75	100	22.50	0.035
FIRG112	1-1/2	-	750	198.75	390	87.75	90	20.25	0.050
FIRG200	2	-	1000	265.00	470	105.75	100	22.50	0.100

Description	Max. operating pressure						Burst pressure					
	Coupled		Male		Female		Coupled		Male		Female	
	MPa	psi	MPa	psi	MPa	psi	MPa	psi	MPa	psi	MPa	psi
FIRG14	30	4350	42	6090	12	1740	120	17400	126	18270	48	6960
FIRG38-12	30	4350	30	4350	12	1740	120	17400	120	17400	48	6960
FIRG12A-34	25	3625	25	3625	10	1450	100	14500	100	14500	40	5800
FIRG34B	25	3625	22	3190	10	1450	100	14500	88	12760	40	5800
FIRG34A	33	4785	33	4785	33	4785	100	14500	100	14500	100	14500
FIRG100	25	3625	20	2900	10	1450	100	14500	80	11600	40	5800
FIRG114	25	3625	20	2900	10	1450	100	14500	80	11600	40	5800
FIRG112	20	2900	27	3915	8	1160	80	11600	80	11600	32	4640
FIRG200	20	2900	16	2320	8	1160	80	11600	64	9280	32	4640

\* Spillage is an indicative value of the fluid loss per couple-uncouple cycle.

Article no.	TYPE	Price £	Price €
<b>NPT THREAD</b>			
800801000	F. FIRG 14 NPT	£24.10	€25.30
800801001	M. FIRG 14 NPT	£12.00	€12.60
800801004	F. FIRG 38 NPT	£26.10	€27.40
800801005	M. FIRG 38 NPT	£13.40	€14.10
800801002	F. FIRG 12 NPT	£26.90	€28.30
800801003	M. FIRG 12 NPT	£15.10	€15.80
800801006	F. FIRG 12A NPT	£36.90	€38.80
800801007	M. FIRG 12A NPT	£26.20	€27.50
800801008	F. FIRG 34 NPT	£37.80	€39.70
800801009	M. FIRG 34 NPT	£26.90	€28.30
800801010	F. FIRG 34B NPT	£58.10	€61.00
800801011	M. FIRG 34B NPT	£36.80	€38.60
800801020	F. FIRG 34A NPT	£99.50	€104.50
800801021	M. FIRG 34A NPT	£56.10	€59.00
800801012	F. FIRG 100 NPT	£99.50	€104.50
800801013	M. FIRG 100 NPT	£56.10	€59.00
800801014	F. FIRG 114 NPT	£135.50	€142.20
800801015	M. FIRG 114 NPT	£80.30	€84.30
800801016	F. FIRG 112 NPT	£360.50	€387.60
800801017	M. FIRG 112 NPT	£214.50	€225.30
800801018	F. FIRG 200 NPT	£540.80	€567.90
800801019	M. FIRG 200 NPT	£327.10	€343.40

Article no.	TYPE	Price £	Price €
<b>BSP PARALLEL</b>			
800800000	F. FIRG14 BSP	£21.50	€22.60
800800001	M. FIRG14 BSP	£10.80	€11.40
800800004	F. FIRG38 BSP	£19.30	€20.30
801300005	M. A9 38 BSP	£10.40	€10.90
800800002	F. FIRG12 BSP	£19.70	€20.60
801300007	M. A9 12 BSP	£10.50	€11.00
800800006	F. FIRG12A BSP	£33.10	€34.80
800800007	M. FIRG12A BSP	£23.60	€24.80
800800008	F. FIRG34 BSP	£27.50	€28.90
800800009	M. FIRG34 BSP	£19.30	€20.30
800800010	F. FIRG34B BSP	£51.60	€54.20
800800011	M. FIRG34B BSP	£32.90	€34.50
800800020	F. FIRG34A BSP	£83.20	€87.40
800800021	M. FIRG34A BSP	£48.30	€50.70
800800012	F. FIRG100 BSP	£66.60	€69.90
800800013	M. FIRG100 BSP	£33.30	€34.90
800800014	F. FIRG114 BSP	£109.80	€115.30
800800015	M. FIRG114 BSP	£66.60	€69.90
800800016	F. FIRG112 BSP	£340.60	€357.60
800800017	M. FIRG112 BSP	£203.30	€213.40
800800018	F. FIRG200 BSP	£516.70	€542.50
800800019	M. FIRG200 BSP	£309.10	€324.50





## Series: FIRG - Flat Face

Article no.	TYPE	Price £	Price €
<b>BSP TAPER</b>			
800803002	F. FIRG12 BSPT	£26.90	€28.30
800803003	M. FIRG12 BSPT	£15.10	€15.80
800803004	F. FIRG34 BSPT	£37.80	€39.70
800803005	M. FIRG34 BSPT	£26.90	€28.30
800803010	F. FIRG34B BSPT	£58.10	€61.00
800803011	M. FIRG34B BSPT	£36.80	€38.60
800803020	F. FIRG12A BSPT	£37.80	€39.70
800803021	M. FIRG12A BSPT	£26.90	€28.30

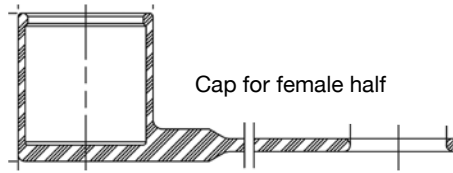
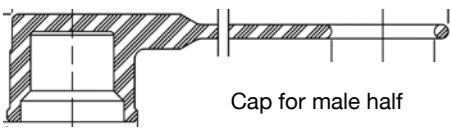
<b>SAE THREAD</b>			
800804000	F. FIRG 14 3/8 SAE	£24.10	€25.30
800804001	M. FIRG 14 3/8 SAE	£12.00	€12.60
800804002	F. FIRG 38 1/2 SAE	£26.10	€27.40
800804003	M. FIRG 38 1/2 SAE	£13.40	€14.10
800804004	F. FIRG 12 5/8 SAE	£26.90	€28.30
800804005	M. FIRG 12 5/8 SAE	£15.10	€15.80
800804006	F. FIRG 12A 5/8 SAE	£37.80	€39.70
800804007	M. FIRG 12A 5/8 SAE	£26.90	€28.30
800804008	F. FIRG 34 SAE	£37.80	€39.70
800804009	M. FIRG 34 SAE	£26.90	€28.30
800804010	F. FIRG 34B SAE	£58.10	€61.00
800804011	M. FIRG 34B SAE	£36.80	€38.60
800804020	F. FIRG 34A SAE	£99.50	€104.50
800804021	M. FIRG 34A SAE	£56.10	€59.00
800804012	F. FIRG 100 SAE	£99.50	€104.50
800804013	M. FIRG 100 SAE	£56.10	€59.00
800804014	F. FIRG 114 SAE	£135.50	€142.20
800804015	M. FIRG 114 SAE	£80.30	€84.30
800804016	F. FIRG 112 SAE	£360.50	€378.60
800804017	M. FIRG 112 SAE	£214.50	€225.30
800804018	F. FIRG 200 SAE	£540.80	€567.90
800804019	M. FIRG 200 SAE	£327.10	€343.40

Article no.	TYPE	Price £	Price €
<b>BSP THREAD VITON SEALS</b>			
800800100	F. FIRG 14V BSP	£24.40	€25.60
800800101	M. FIRG 14V BSP	£12.20	€12.80
800800104	F. FIRG 38V BSP	£26.40	€27.70
800800105	M. FIRG 38V BSP	£13.60	€14.20
800800102	F. FIRG 12V BSP	£27.40	€28.70
800800103	M. FIRG 12V BSP	£15.20	€16.00
800800106	F. FIRG 12AV BSP	£37.40	€39.20
800800107	M. FIRG 12AV BSP	£26.60	€27.90
800800108	F. FIRG 34V BSP	£38.20	€40.10
800800109	M. FIRG 34V BSP	£27.40	€28.70
800800110	F. FIRG 34BV BSP	£58.10	€61.00
800800111	M. FIRG 34BV BSP	£37.20	€39.00
800800120	F. FIRG 34AV BSP	£101.20	€106.30
800800121	M. FIRG 34AV BSP	£56.70	€59.50
800800112	F. FIRG 100V BSP	£101.20	€106.30
800800113	M. FIRG 100V BSP	£56.70	€59.50
800800114	F. FIRG 114V BSP	£136.90	€143.70
800800115	M. FIRG 114V BSP	£81.10	€85.20
800800116	F. FIRG 112V BSP	£364.40	€382.70
800800117	M. FIRG 112V BSP	£217.70	€228.50
800800118	F. FIRG 200V BSP	£536.80	€563.70
800800119	M. FIRG 200V BSP	£321.20	€337.30

<b>NPT THREAD VITON SEALS</b>			
800801100	F. FIRG 14V NPT	£25.20	€26.50
800801101	M. FIRG 14V NPT	£12.70	€13.30
800801104	F. FIRG 38V NPT	£27.50	€28.90
800801105	M. FIRG 38V NPT	£14.30	€15.00
800801102	F. FIRG 12V NPT	£28.40	€29.90
800801103	M. FIRG 12V NPT	£15.80	€16.60
800801106	F. FIRG 12AV NPT	£38.80	€40.70
800801107	M. FIRG 12AV NPT	£27.60	€28.90
800801108	F. FIRG 34V NPT	£39.70	€41.70
800801109	M. FIRG 34V NPT	£28.40	€29.90
800801110	F. FIRG 34BV NPT	£61.00	€64.10
800801111	M. FIRG 34BV NPT	£38.60	€40.60
800801120	F. FIRG 34AV NPT	£104.50	€109.70
800801121	M. FIRG 34AV NPT	£59.00	€61.90
800801112	F. FIRG 100V NPT	£104.50	€109.70
800801113	M. FIRG 100V NPT	£59.00	€61.90
800801114	F. FIRG 114V NPT	£142.30	€149.40
800801115	M. FIRG 114V NPT	£84.20	€88.40
800801116	F. FIRG 112V NPT	£378.60	€397.50
800801117	M. FIRG 112V NPT	£225.20	€236.50
800801118	F. FIRG 200V NPT	£567.80	€596.20
800801119	M. FIRG 200V NPT	£343.60	€360.70

# Dust Caps for FIRG & A Series

Red dust caps are stocked as standard



QUICK CONNECT COUPLINGS

Red dust caps are stocked as standard

RED COLOR	Type	Price £	Price €
815100000	CAP F. FIRG14 / A7 RED	£1.40	€1.50
815100023	CAP M. FIRG14 / A7 RED	£1.40	€1.50
815100002	CAP F. FIRG38 / FIRG12 / A9 RED	£1.50	€1.60
815100025	CAP M. FIRG38 / A9 RED	£1.50	€1.60
815100027	CAP M. FIRG12 / A9 RED	£1.50	€1.60
815100004	CAP F. FIRG12A / A13 RED	£1.70	€1.80
815100029	CAP M. FIRG12A / A13 RED	£1.70	€1.80
815100006	CAP F. FIRG34 / A13 RED	£1.70	€1.80
815100031	CAP M. FIRG34 / A13 RED	£1.70	€1.80
815100008	CAP F. FIRG34B / A15 RED	£2.10	€2.20
815100011	CAP M. FIRG34B / A15 RED	£2.10	€2.20
815100010	CAP F. FIRG100 / A17 RED	£2.60	€2.80
815100013	CAP M. FIRG100 / A17 RED	£2.60	€2.80
815100012	CAP F. FIRG114 / A21 RED	£3.00	€3.30
815100015	CAP M. FIRG114 / A21 RED	£3.00	€3.30

BLACK COLOR	Type	Price £	Price €
815103000	CAP F. FIRG14 / A7 BLACK	£1.40	€1.50
815103023	CAP M. FIRG14 / A7 BLACK	£1.40	€1.50
815103002	CAP F. FIRG38 / FIRG12 / A9 BLACK	£1.50	€1.60
815103025	CAP M. FIRG38 / A9 BLACK	£1.50	€1.60
815103027	CAP M. FIRG12 / A9 BLACK	£1.50	€1.60
815103004	CAP F. FIRG12A / A13 BLACK	£1.70	€1.80
815103029	CAP M. FIRG 12A / A13 BLACK	£1.70	€1.80
815103006	CAP F. FIRG34 / A13 BLACK	£1.70	€1.80
815103031	CAP M. FIRG34 / A13 BLACK	£1.70	€1.80
815103008	CAP F. FIRG34B / A15 BLACK	£2.10	€2.20
815103011	CAP M. FIRG34B / A15 BLACK	£2.10	€2.20
815103010	CAP F. FIRG100 / A17 BLACK	£2.60	€2.80
815103013	CAP M. FIRG100 / A17 BLACK	£2.60	€2.80
815103012	CAP F. FIRG114 / A21 BLACK	£3.00	€3.30
815103015	CAP M. FIRG114 / A21 BLACK	£3.00	€3.30

**YELLOW COLOR**

815101000	CAP F. FIRG14 / A7 YELLOW	£1.40	€1.50
815101023	CAP M. FIRG14 / A7 YELLOW	£1.40	€1.50
815101002	CAP F. FIRG38 / FIRG12 / A9 YELLOW	£1.50	€1.60
815101025	CAP M. FIRG38 / A9 YELLOW	£1.50	€1.60
815101027	CAP M. FIRG12 / A9 YELLOW	£1.50	€1.60
815101004	CAP F. FIRG12A / A13 YELLOW	£1.70	€1.80
815101029	CAP M. FIRG 12A / A13 YELLOW	£1.70	€1.80
815101006	CAP F. FIRG34 / A13 YELLOW	£1.70	€1.80
815101031	CAP M. FIRG34 / A13 YELLOW	£1.70	€1.80
815101008	CAP F. FIRG34B / A15 YELLOW	£2.10	€2.20
815101011	CAP M. FIRG34B / A15 YELLOW	£2.10	€2.20
815101010	CAP F. FIRG100 / A17 YELLOW	£2.60	€2.80
815101013	CAP M. FIRG100 / A17 YELLOW	£2.60	€2.80
815101012	CAP F. FIRG114 / A21 YELLOW	£3.00	€3.30
815101015	CAP M. FIRG114 / A21 YELLOW	£3.00	€3.30

**BLUE COLOR**

815102000	CAP F. FIRG14 / A7 BLUE	£1.40	€1.50
815102023	CAP M. FIRG14 / A7 BLUE	£1.40	€1.50
815102002	CAP F. FIRG38 / FIRG12 / A9 BLUE	£1.50	€1.60
815102025	CAP M. FIRG38 / A9 BLUE	£1.50	€1.60
815102027	CAP M. FIRG12 / A9 BLUE	£1.50	€1.60
815102004	CAP F. FIRG12A / A13 BLUE	£1.70	€1.80
815102029	CAP M. FIRG 12A / A13 BLUE	£1.70	€1.80
815102006	CAP F. FIRG34 / A13 BLUE	£1.70	€1.80
815102031	CAP M. FIRG34 / A13 BLUE	£1.70	€1.80
815102008	CAP F. FIRG34B / A15 BLUE	£2.10	€2.20
815102011	CAP M. FIRG34B / A15 BLUE	£2.10	€2.20
815102010	CAP F. FIRG100 / A17 BLUE	£2.60	€2.80
815102013	CAP M. FIRG100 / A17 BLUE	£2.60	€2.80
815102012	CAP F. FIRG114 / A21 BLUE	£3.00	€3.30
815102015	CAP M. FIRG114 / A21 BLUE	£3.00	€3.30

**ALUMINIUM CAPS ISO 16028**

**DIFFERENT COLOURS**

815205020	CAP M. A25 WHITE	£76.20	€80.80
815205021	CAP F. A25 WHITE	£87.00	€91.40
815200020	CAP F. A25 RED	£76.20	€80.80
815200021	CAP M. A25 RED	£87.00	€91.40
815105014	CAP F. FIRG112 WHITE	£80.50	€84.60
815105017	CAP M. FIRG112 WHITE	£71.90	€75.50
815100014	CAP F. FIRG112 RED	£80.50	€84.60
815100017	CAP M. FIRG112 RED	£71.90	€75.50
815105016	CAP F. FIRG200 WHITE	£93.50	€98.20
815105019	CAP M. FIRG200 WHITE	£80.50	€84.60
815100016	CAP F. FIRG200 RED	£93.50	€98.20
815100019	CAP M. FIRG200 RED	£80.50	€84.60



Stucchi®