

Series: A-HD - connects under pressure



QUICK CONNECT COUPLINGS

Technical Features and Options

- Interchangeability: ISO 16028 - HTMA (size 10) • Valve system: Flat face
- Mechanical connection: Locking balls
- Connection system: Push to connect • Disconnection system: Pulling back the sleeve of the female
- **Connection with residual pressure: Allowed on the female side (With male to drain)**
- Disconnection with residual pressure: Not allowed • Threads available: BSP (DIN 3852), NPT (ANSI B.1.20.1), SAE (SAE J1926-1).
- Threads on request: Metric DIN (DIN 2353 / ISO 8434-1), ORFS or others.
- Temperature range:
 - Standard seals NBR (Nitrile) - POM from -20°C to +100°C.

Materials

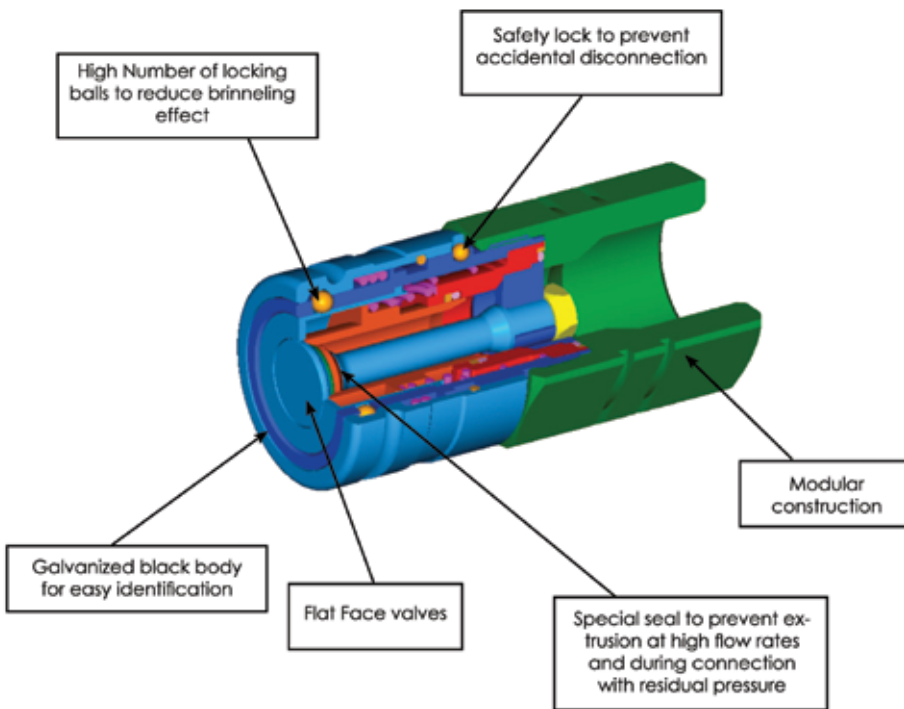
Construction material:	High resistance carbon steel
Surface treatment:	Cr III zinc plated
Body	galvanized black for easy identification
External springs:	AISI 302
Internal springs:	C72 steel
Locking ball material:	Hard steel 100 C6
Seals:	standard in NBR (Nitrile), POM
Anti-extrusion rings:	PTFE

How To Use

- Before to couple clean the flat mating surface of quick coupling to avoid the inclusion of dirt in the circuit.
- To couple push the male half towards the female half or vice versa.
- After connection turn the external sleeve to engage lock function, to prevent accidental disconnection.
- To uncouple turn the external sleeve until the sleeve lock groove corresponds with the safety lock ball and pull back the sleeve.

Warning!

- Please read carefully General instructions for selection and use of the products in our master catalogues.
- Connection with residual pressure allowed with male to drain (please check the hydraulic circuit).
- Do not use the female coupling disconnected with high impulse pressure frequency.
- Do not couple-uncouple with flow in the circuit. Connection is allowed only with residual pressure trapped in the circuit.
- Do not couple-uncouple when the temperature inside of the circuit is higher than 80 °C (176 °F).
- Check the maximum allowable working pressure of the port in use (DIN L or S type (DIN 2353 / ISO 8434-1) etc.).
- When the couplings are disconnected, it is suggested to use the protection caps (at the end of this flyers).

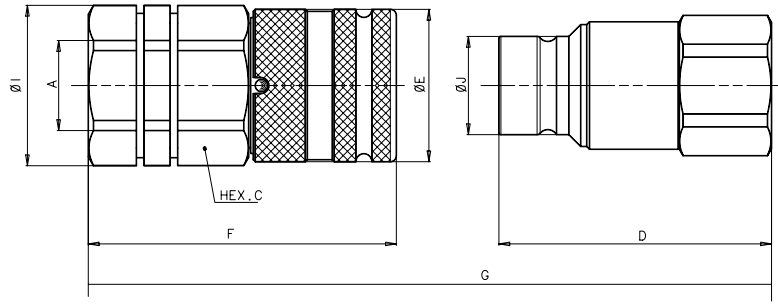


	Size	ISO Size	Rated Flow		Max. flow suggested		Connect force °		Disconnect force °		Spillage*
	Inch	mm	l/min	GPM	l/min	GPM	N	lbf	N	lbf	ml
F -A9HD	3/8	10,0	23	6,10	46	12,19	190	42,75	30	6,75	0,012
F- A13HD	1/2	12,5	45	11,93	90	23,85	170	38,25	55	12,37	0,020

	Max. operating pressure				Description Burst pressure			
	Coupled °		Female		Coupled °		Female	
	MPa	psi	MPa	psi	MPa	psi	MPa	psi
F- A9HD	35	5075	35	5075	100	14500	100	14500
F- A13HD	33	4785	33	4785	100	14500	100	14500

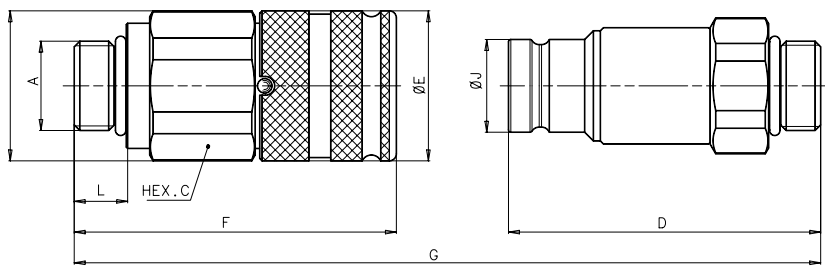
* Spillage is an indicative value of the fluid loss per couple-uncouple cycle.
 ° Tested with female couplings "A" series

Series: A-HD



Dimensions (mm)

	Body Size	ISO DN	A	HEX C	D	E	F	G	I	J	Article no.	Price £	Price €
BSP THREAD													
F. A9HD	3/8"	10	G 3/8'	30	60	32	64.8	(F+D)-16	32	19.7	808300004	£43.50	€45.60
F. A9HD	1/2"	10	G 1/2'	30	62.5	32	69.8	(F+D)-16	32	19.7	808300006	£43.50	€45.60
F. A13HD	1/2"	12.5	G 1/2'	36	68	38	76.8	(F+D)-17.3	40	24.5	808300008	£49.90	€52.40
F. A13HD	3/4"	12.5	G 3/4'	36	70.15	38	83.8	(F+D)-17.3	40	24.5	808300010	£50.90	€53.40
NPT THREAD													
F. A13HD	1/2"	12.5	1/2 NPT	36	68	38	76.8	(F+D)-17.3	40	24.5	808301008	£52.60	€55.30
F. A13HD	3/4"	12.5	3/4 NPT	36	70.5	38	83.8	(F+D)-17.3	40	24.5	808301010	£52.60	€55.30
SAE THREAD													
F. A9HD	1/2"	10	3/4-16UNF	30	62.5	32	69.8	(F+D)-16	32	19.7	808304008	£44.80	€47.00
F. A9HD	5/8"	10	7/8-14UNF	30	65.5	32	71.8	(F+D)-16	32	19.7	808304010	£44.80	€47.00
F. A13HD	5/8"	12.5	7/8-14UNF	36	70	38	78.8	(F+D)-17.3	40	24.5	808304012	£53.00	€55.60
F. A13HD	3/4"	12.5	1 1/16-12UNF	36	72.5	38	83.8	(F+D)-17.3	40	24.5	808304014	£53.00	€55.60
F. A13HD	1/2"	12.5	3/4-16UNF	36	68	38	76.8	(F+D)-17.3	40	24.5	808304016	£53.00	€55.60



Dimensions (mm)

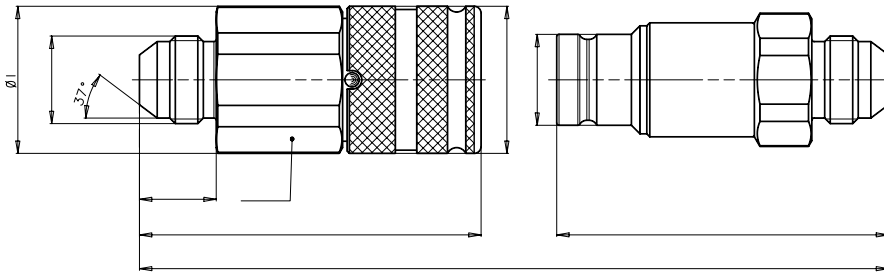
	Body Size	ISO DN	A	HEX C	D	E	F	G	I	J	L	Article no.	Price £	Price €
SAE THREAD														
F. A9HD	1/2"	10	3/4-16UNF	30	64.1	32	68.7	(F+D)-16	32	19.7	11.1	808304006	£46.50	€48.80



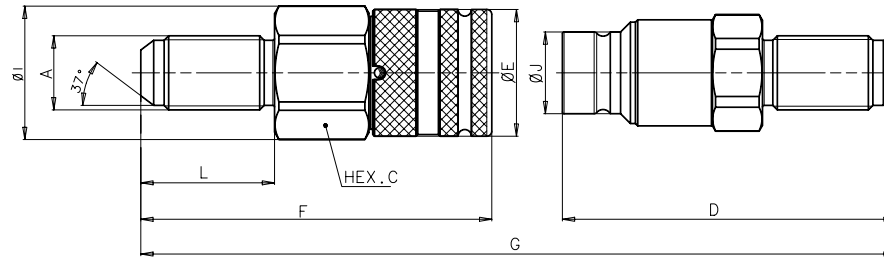
Stucchi®

Series: A-HD

MALE THREAD JIC (SAE J514 or ISO 8434-2)



MALE THREAD JIC Bulkhead (SAE J514 or ISO 8434-2)



Dimensions (mm)

	Body Size	ISO DN	A	HEX C	D	E	F	G	I	J	L	Article no.	Price £	Price €
JIC AND ORFS THREAD														
F. A9HD 1/2 JIC	3/8"	10	3/4-16UNF	30	69.7	32	74.3	(F+D)-16	32	19.7	16.7	808306000	£45.20	€47.50
F. A9HD 5/8 JIC	3/8"	10	7/8-14UNF	30	72.3	32	75.9	(F+D)-16	32	19.7	19.3	808306002	£45.20	€47.50
F. A9HD 1/2 JIC BH	3/8"	10	3/4-16UNF	30	89.6	32	94.2	(F+D)-16	32	19.7	36.6	808306004	£49.10	€51.60
F. A13HD 5/8 JIC BH	1/2"	12.5	7/8-14UNF	36	100.1	38	105.2	(F+D)-17.3	40	24.5	40.1	808306006	£56.90	€59.70

QUICK CONNECT COUPLINGS



Stucchi®