



Series: AX - 316 Stainless Steel

Technical Features and Options

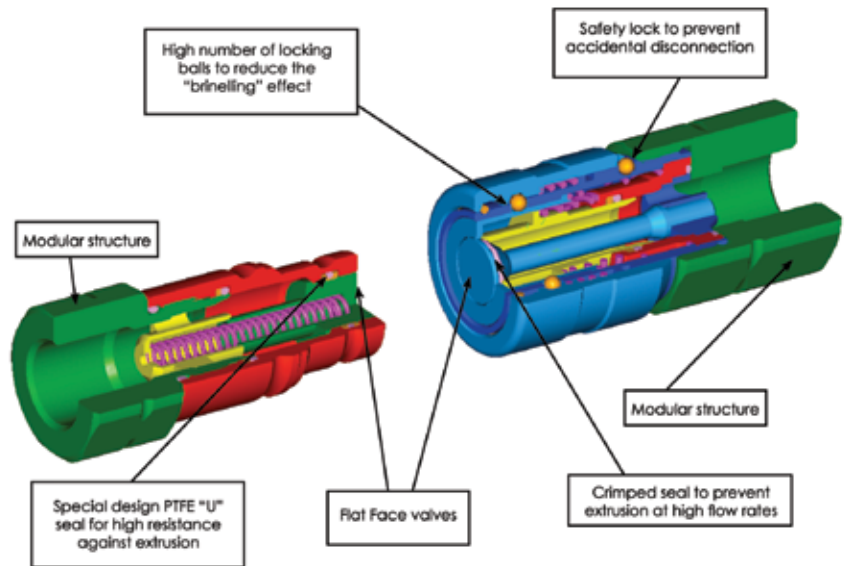
- Interchangeability: ISO 16028 , HTMA (size 10)
- Valve system: Flat face
- Mechanical connection: Locking balls
- Connection system: Push to connect
- Disconnection system: Pulling back the sleeve of the female
- Connection with residual pressure: Not allowed
- Disconnection with residual pressure: Not allowed
- Threads available: BSP (DIN 3852), Metric S TYPE (DIN 2353 / ISO 8434-1)
- Threads on request: NPT (ANSI B.1.20.1), SAE (J1926-1), Metric (DIN 2353 / ISO 8434-1), ORFS and others.
- Temperature range:
 - Seals in VITON : from -15°C to +180°C (from +5 °F to +356 °F).
 - NBR (Nitrile) : from -20 °C to +100 °C (from -4 °F to +212 °F)
 - EPDM (Ethylene Propylene) seals: from -40 °C to +150 °C (from -40 °F to +302 °F).
 - KALREZ seals: from -25 °C to +300 °C (from -13 °F to +572 °F).
 The couplings with Kalrez seals for high temperature use, can be used at max. operating pressure of 5 Mpa (725 psi).

How To Use

- Before to couple clean the flat mating surface of quick coupling to avoid the inclusion of dirty in the circuit.
- To couple push the male half towards the female half or vice versa.
- After connection turn the external sleeve to engage safety lock function, to prevent accidental disconnection.
- To uncouple turn the external sleeve until the sleeve lock groove corresponds with the safety lock ball and pull back the sleeve.

Warning!

- Please read carefully General instructions for selection and use of the products in our master catalogues.
- Do not use the female coupling disconnected with high impulse pressure frequency.
- Do not couple-uncouple with flow and/or pressure in the circuit.
- Do not couple-uncouple when the temperature inside of the circuit is higher than 80 °C (176 °F).
- Check the maximum allowable working pressure of the port in use (DIN L or S type (DIN 2353 / ISO 8434-1) etc.).
- When the couplings are disconnected, it is suggested to use the protection caps.



Performance

	Size		ISO Size		Rated Flow		Max. flow suggested		Connect force		Disconnect force		Spillage*
	Inch	mm	l/min	GPM	l/min	GPM	N	lbf	N	lbf	ml		
AX7	1/4	6.3	12	3.18	24	6.36	125	28.12	38	8.55	0.006		
AX9	3/8	10,0	23	6.10	46	12.19	200	45	45	10.12	0.012		
AX13	1/2	12,5	45	11,93	90	23.85	165	37.12	58	13.05	0.020		
AX17	3/4	19,0	100	26,50	200	53.00	255	57.37	80	18	0.032		
AX21	1	25,0	189	50,09	378	100.17	285	64.12	110	24.75	0.035		

* Spillage is an indicative value of the fluid loss per couple-uncouple cycle.

Max. operating pressure

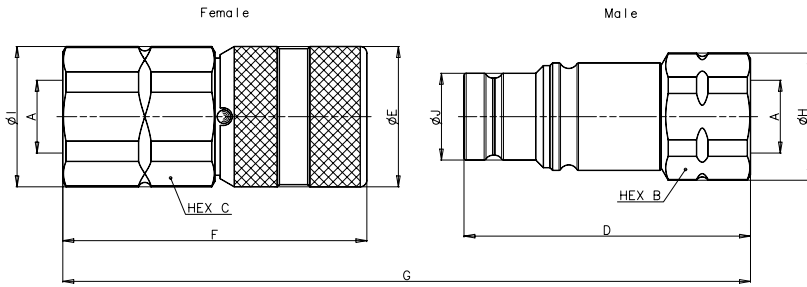
	Coupled		Male		Female	
	MPa	psi	MPa	psi	MPa	psi
AX7	35	5075	35	5075	25	3625
AX9	35	5075	35	5075	35	5075
AX13	33	4785	33	4785	33	4785
AX17	33	4785	33	4785	33	4785
AX21	30	4350	30	4350	30	4350

Materials

- Construction material: AISI 316 (stainless steel)
- Springs: AISI 302
- Locking ball material: AISI 316
- Seals: standard in Viton
- Seals on request: NBR , EPDM , KALREZ & others
- Back-up ring & ("U" seal): PTFE
- Accessories on request: Caps in plastic or Aluminium



Series: AX



QUICK CONNECT COUPLINGS



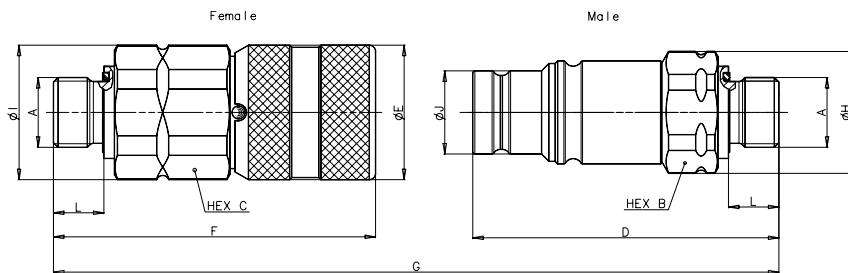
Stucchi®

Dimensions (mm) - FEMALE THREAD BSPP (DIN 3852-2 form X)

Description	Size	ISO DN	A	HEX B	HEX C	D	E	F	G	H	I	J	Part Number	Seal	
AX7 1/4" BSP	1/4"	6.3	1/4	22	27	56.7	28	53.1	99	23.8	29	16.1	Female Male	80850002 80850003	Nitrile
AX9 3/8" BSP	3/8"	10	3/8	27	30	65.4	32	69.4	118.8	29	32	19.7	Female Male	808500104 808500105	Viton
AX9 1/2" BSP	3/8"	10	1/2	27	30	67.4	32	74.4	125.7	29	32	19.7	Female Male	808500006 808500007	Nitrile
AX13 1/2" BSP	1/2"	12.5	1/2	32	36	77.5	38	76.9	137.1	35	40	24.5	Female Male	808500108 808500109	Viton
AX13 3/4" BSP	1/2"	12.5	3/4	36	36	79.5	38	86.9	149.1	40	40	24.5	Female Male	808500010 808500011	Nitrile
AX17 3/4" BSP	3/4"	19	3/4	46	46	85.7	48	104	167.5	49.5	49.8	30	Female Male	808500114 808500115	Viton
AX21 1" BSP	1"	25	1	55	55	102	55	107	186.3	60	60	36	Female Male	808500018 808500019	Nitrile

Dimensions (mm) - FEMALE THREAD SAE (SAE J1926-1 or ISO 11926-1)

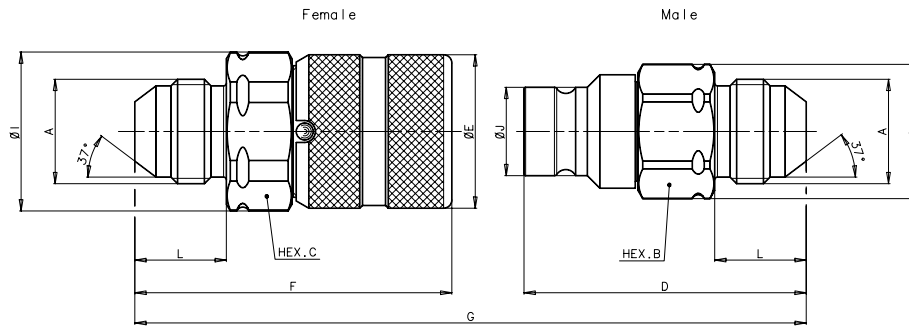
Description	Size	ISO DN	A	HEX B	HEX C	D	E	F	G	H	I	J	Part Number	Seal	
AX9 3/8" BSP	3/8"	10	9/16-18UNF	27	30	65.4	32	69.35	118.75	29	32	19.7	Female Male	808504104 808504105	Viton
AX17 1" BSP	3/4"	19	1-5/16-12UN	46	46	85.7	48	103.8	214.5	49.5	49.8	30	Female Male	808504120 808504121	Viton



Dimensions (mm) - MALE THREAD BSPP (DIN 3852-2 - FORM A)

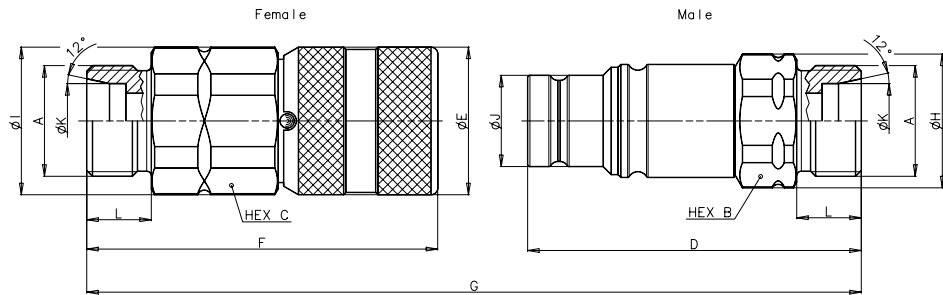
Description	Size	ISO DN	A	HEX B	HEX C	D	E	F	G	H	I	J	L	Part Number	Seal	
AX9ED 3/8" BSP EST	3/8"	10	3/8	27	30	72.9	32	76.6	133.5	29	32	19.7	12	Female Male	808500134 808500135	Viton
AX13ED 1/2" BSP EST	1/2"	12.5	1/2	32	36	86.5	38	85.4	154.6	35	40	24.5	14	Female Male	808500136 808500137	Viton
AX17ED 3/4" BSP EST	3/4"	19	3/4	46	46	101.7	48	112.4	192.1	49.5	49.8	30	16	Female Male	808500032 808500033	Nitrile
AX21ED 1" BSP EST	1"	25	1	55	55	114.7	55	119.3	211	59.8	59.8	36	18	Female Male	808500130 808500131	Viton

Series: AX



Dimensions (mm) - MALE THREAD JIC (SAE J514 or ISO 8434-2)

Description	Size	ISO DN	A	HEX B	HEX C	D	E	F	G	H	I	J	L	Part Number	Seal	
AX7E 1/2" JIC	1/4"	6.3	3/4-16UNF	22	27	51.5	28	57.8	98.5	24.5	29	16.1	16.7	Female	808506200	EPDM
														Male	808506201	



Dimensions (mm) - MALE THREAD metric S-24° Cone (Din 2353/ISO 8434.1)

Description	Size	ISO DN	A	HEX B	HEX C	D	E	F	G	H	I	J	K	L	Part Number	Seal	
AX9 S16	3/8"	10	M24x1.5	27	30	72.4	32	76.2	133	29	32	19.7	16	14	Female	808509104	Viton
															Male	808509105	
AX13 S16	1/2"	12.5	M24x1.5	32	36	83.5	38	82.4	149	35	40	24.5	16	14	Female	808509106	Viton
															Male	808509107	
AX17 S20	3/4"	19	M30x2	46	46	98.7	48	109	186	49.5	49.8	30	20	16	Female	808509002	Nitrile
															Male	808509003	
AX21 S30	1"	25	M42x2	55	55	114	55	118	209	59.8	59.8	36	30	20	Female	808509100	Viton
															Male	808509101	

Protection Caps for AX Series

Protective caps are always recommended to protect the couplings from damage, dirt inclusion, and will increase the product life. This is particularly important in mobile applications where exposure to weather and aggregate materials are common.

- Standard: Aluminum - White color.
- Temperature range: from -20 °C to +100 °C (from -4 °F to +212 °F).

Size	Plug for Female	Cap for Male
AX7	816005002	816005003
AX9	816005004	816005005
AX13	816005006	816005007
AX17	816005010	816005011
AX21	816005012	816005013



Stucchi®