

## Series: VOFX

**316 Stainless Steel**

**Interchangeable with Similar Couplings (Oil & Gas)**



QUICK CONNECT COUPLINGS



### Technical Features and Options

- Valve system: Poppet
- Connection system: Screw
- Connection under pressure: Connection: One side\* / Disconnection: not allowed
- Locking mechanism: Screw to connect
- Available threads: NPT - BSP
- Flow rate: Up to 1100 L/Min
- Sizes available: 3/4" to 2"
- Operation pressure: up to 207 BAR
- Temperature range: Standard seals NBR from -20°C to +100°C

### Benefits

- \*Connection under residual pressure is allowed in one side.
- Inspection hole to control if the coupling is completely connected.
- Specific dimensions of Stucchi VOFX series are fire tested in accordance with API 16D and the EUB Directive #36.
- New treatment on the threads to avoid premature wearing.
- Wrench flat on the bodies to facilitate the fitting assembly.
- The poppet valve with elastomer seal provides maximum sealing of the couplings when disconnected.
- Retainer in stainless steel material.
- Shape of internal parts is designed to reduce turbulence and pressure drop.
- High resistance to pressure impulses (500.000 connected).
- Compact design.
- Simple to use.

### Materials

Construction material: Stainless steel AISI 316L  
 Seals: Nitrile NBR  
 Springs: AISI 302

### How To Use

- Before to connect, clean the mating surface of the couplings and spread anti galling paste on the thread.
- To connect insert the nipple in the coupler, screw the sleeve until positive stop (surface contact of two moving parts), do not push together the couplings, screw only.
- The use of tools for the second part of the connection can be necessary if there is high residual pressure in the circuit.
- Check inspection holes to ensure that the coupling is fully connected (no free space allowed).
- To disconnect unscrew totally the sleeve from the nipple.

### Tests performed:

- The couplings coupled have been tested at max. operating pressure for 500.000 impulses in accordance with ISO 7241-2.
- The couplings uncoupled have been tested for 100.000 impulses.

Article no.	Size	Description	Price £	Price €
<b>NPT THREAD</b>				
811201050	3/4"	F. Nipple VOFX34 NPT	£729.00	€765.40
811201051	3/4"	M. Coupler VOFX34 NPT	£935.00	€981.80
811201052	1"	F. Nipple VOFX100 NPT	£792.40	€832.00
811201053	1"	M. Coupler VOFX100 NPT	£1,141.00	€1,198.10
811201054	1 1/4"	F. Nipple VOFX114 NPT	£871.60	€915.20
811201055	1 1/4"	M. Coupler VOFX114 NPT	£1,204.40	€1,264.60
811201056	1 1/2"	F. Nipple VOFX112 NPT	£1,156.90	€1,214.70
811201057	1 1/2"	M. Coupler VOFX112 NPT	£2,091.90	€2,196.50
811201058	2"	F. Nipple VOFX200 NPT	£1,521.40	€1,597.40
811201059	2"	M. Coupler VOFX200 NPT	£2,472.20	€2,595.80

Article no.	Size	Description	Price £	Price €
<b>BSP THREAD</b>				
811200050	3/4"	F. Nipple VOFX34 BSP	£729.00	€765.40
811200051	3/4"	M. Coupler VOFX34 BSP	£935.00	€981.80
811200052	1"	F. Nipple VOFX100 BSP	£792.40	€832.00
811200053	1"	M. Coupler VOFX100 BSP	£1,141.00	€1,198.10
811200054	1 1/4"	F. Nipple VOFX114 BSP	£871.60	€915.20
811200055	1 1/4"	M. Coupler VOFX114 BSP	£1,204.40	€1,264.60
811200056	1 1/2"	F. Nipple VOFX112 BSP	£1,156.90	€1,214.70
811200057	1 1/2"	M. Coupler VOFX112 BSP	£2,091.90	€2,196.50
811200058	2"	F. Nipple VOFX200 BSP	£1,521.40	€1,597.40
811200059	2"	M. Coupler VOFX200 BSP	£2,472.20	€2,595.80



## Series: VOFX

**316 Stainless Steel**

**Interchangeable with Similar Couplings (Oil & Gas)**

### Performance

	Size	ISO Size	Max. flow suggested		Connect torque*		Disconnect torque*		Spillage**
	Inch	mm	l/min	GPM	Nm	lbf	Nm	lbf	ml
<b>VOFX34</b>	3/4	20	212	56.18	2.3	1.70	2.3	1.70	11.5
<b>VOFX100</b>	1	25	378	100.17	2.5	1.84	2.5	1.84	21.2
<b>VOFX114</b>	1 1/4	31.5	576	152.64	3	2.21	3	2.21	42.3
<b>VOFX112</b>	1 1/2	40	758	200.87	15.1	11.14	15.2	11.21	86.6
<b>VOFX200</b>	2	50	1100	291.50	10	7.38	10	7.38	192.0

	Max. operating pressure						Burst pressure					
	Coupled		Nipple		Coupler		Coupled		Nipple		Coupler	
	MPa	psi	MPa	psi	MPa	psi	MPa	psi	MPa	psi	MPa	psi
<b>VOFX34</b>	20.7	3000	20.7	3000	20.7	3000	82.8	12000	62.1	9000	62.1	9000
<b>VOFX100</b>	20.7	3000	20.7	3000	20.7	3000	82.8	12000	62.1	9000	62.1	9000
<b>VOFX114</b>	20.7	3000	20.7	3000	20.7	3000	82.8	12000	62.1	9000	62.1	9000
<b>VOFX112</b>	20.7	3000	20.7	3000	20.7	3000	82.8	12000	62.1	9000	62.1	9000
<b>VOFX200</b>	20.7	3000	20.7	3000	20.7	3000	82.8	12000	62.1	9000	62.1	9000

\* Connect torque and disconnect torque without residual pressure. The torque to connect increase with increasing of internal residual pressure.

\*\* Spillage is an indicative value of the fluid loss per couple-uncouple cycle without residual pressure.

### Warning!

- A defect, a wrong choice or an improper use of products, can cause injury to persons, animals and objects.
- Never connect or disconnect with dynamic pressure (e.g. pump on).
- Do not couple-uncouple with flow in the circuit.
- Do not couple-uncouple when the temperature inside of the circuit is higher than 80 °C (176 °F).
- Do not use the coupling disconnected with high impulse pressure.
- Connect under pressure products are suitable to be connected under residual (static) pressure.
- Connection with residual pressure (pressure trapped in the circuit) allowed with other side coupling to drain.
- Check the maximum allowable working pressure of the port in use.
- Make sure that the medium used is compatible with seal and material as indicated for each series.
- In case of doubt please contact Stucchi Technical Support.
- The interchangeability is mentioned under the assumption that the manufacturer of the considered products has not changed any dimension.
- It is MANDATORY to read and closely follow the instructions. Last updated version always apply at time of installation, see latest written Instructions on Stucchi website ([www.stucchi.it](http://www.stucchi.it)) before selecting or using Stucchi products.

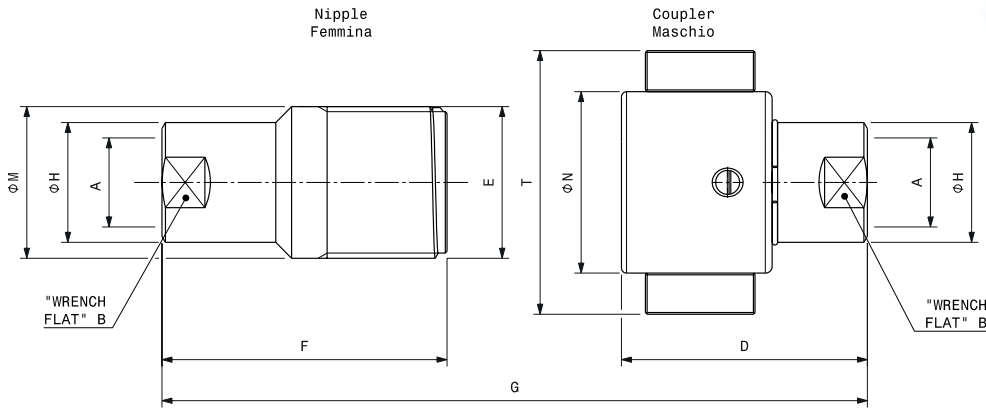
# Series: VOFX

316 Stainless Steel

Interchangeable with Similar Couplings (Oil & Gas)



QUICK CONNECT COUPLINGS



## Dimensions - FEMALE THREAD NPT (ANSI B.1.20.1) (mm)

NPT		Article no.	Port (A)	Thread E	G	F	D	B	H	N	M	T	Weight Kg
VOFX34	Nipple	811201050	3/4	1 3/4-8	123.6	83.2	71.8	31.8	35	53	44.3	77	0.48
	Coupler	811201051		Special									
VOFX100	Nipple	811201052	1	2 1/4-6	152.9	105.8	87.3	41.3	45	69	57.2	105	1.19
	Coupler	811201053		Stub ACME									
VOFX114	Nipple	811201054	1-1/4	2 5/8-6	197.9	136.7	112.4	50.8	54.5	80	66.7	116	1.95
	Coupler	811201055		Stub ACME									
VOFX112	Nipple	811201056	1-1/2	3 1/4-4	220.3	151.2	126.9	57.2	63.5	95	82.6	145	3.22
	Coupler	811201057		Stub ACME									
VOFX200	Nipple	811201058	2	4-4	255.2	179.0	154.2	76.2	82.6	122.5	101.6	182.5	6.04
	Coupler	811201059		Stub ACME									

## Dimensions - FEMALE THREAD BSPP (ISO 1179-1) (mm)

BSPP		Article no.	Port (A)	Thread E	G	F	D	B	H	N	M	T	Weight Kg
VOFX34	Nipple	811200050	3/4	1 3/4-8	123.6	83.2	71.8	31.8	35	53	44.3	77	0.48
	Coupler	811200051		Special									
VOFX100	Nipple	811200052	1	2 1/4-6	152.9	105.8	87.3	41.3	45	69	57.2	105	1.19
	Coupler	811200053		Stub ACME									
VOFX114	Nipple	811200054	1-1/4	2 5/8-6	197.9	136.7	112.4	50.8	54.5	80	66.7	116	1.95
	Coupler	811200055		Stub ACME									
VOFX112	Nipple	811200056	1-1/2	3 1/4-4	220.3	151.2	126.9	57.2	63.5	95	82.6	145	3.22
	Coupler	811200057		Stub ACME									
VOFX200	Nipple	811200058	2	4-4	255.2	179.0	154.2	76.2	82.6	122.5	101.6	182.5	6.04
	Coupler	811200059		Stub ACME									



Stucchi®

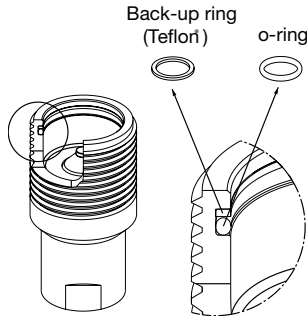


**Series: VOFX**

**Interchangeable with Similar Couplings (Oil & Gas)**

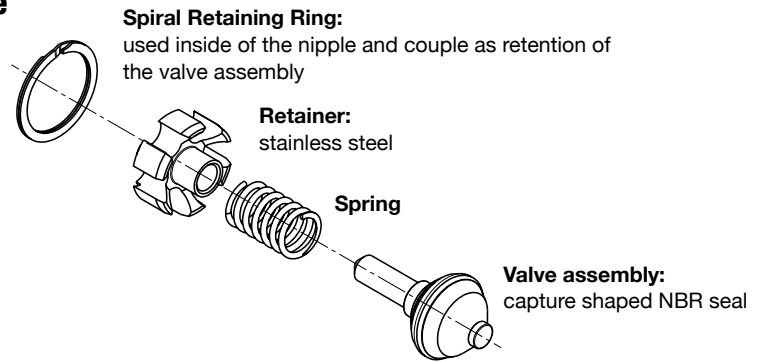
**Spare Kit Seal For Nipple**

Article no.	Description	Price £	Price €
<b>815700956</b>	VOF34	<b>£6.60</b>	<b>€6.90</b>
<b>815700958</b>	VOF100	<b>£7.40</b>	<b>€7.80</b>
<b>815700960</b>	VOF114	<b>£8.90</b>	<b>€9.30</b>
<b>815700962</b>	VOF112	<b>£10.50</b>	<b>€11.00</b>
<b>815700964</b>	VOF200	<b>£13.70</b>	<b>€14.40</b>



**Spare Kit Internal Parts for Female and Male**

Article no.	Description	Price £	Price €
<b>815701146</b>	VOF34X	<b>£90.50</b>	<b>€95.00</b>
<b>815701147</b>	VOF100X	<b>£116.30</b>	<b>€122.10</b>
<b>815701148</b>	VOF114X	<b>£177.70</b>	<b>€186.60</b>
<b>815701149</b>	VOF112X	<b>£226.10</b>	<b>€237.40</b>
<b>815701150</b>	VOF200X	<b>£284.30</b>	<b>€298.50</b>



**Protection Caps for VOF Series**

Protective caps are always recommended to protect the couplings from damage, dirt inclusion, and will increase the product life. This is particularly important in Oil&Gas and mobile applications where exposure to weather and aggregate materials are common. The protection caps for VOF couplings are manufactured in aluminum (natural color).

Article no.	Size		Material	Price £	Price €
<b>815405012</b>	VOF 34	<b>Cap for Male</b>	Aluminum/Natural	<b>£27.10</b>	<b>€28.50</b>
<b>815405013</b>	VOF 34	<b>Plug for Female</b>	Aluminum/Natural	<b>£27.10</b>	<b>€28.50</b>
<b>815405010</b>	VOF 100	<b>Cap for Male</b>	Aluminum/Natural	<b>£37.20</b>	<b>€39.00</b>
<b>815405011</b>	VOF 100	<b>Plug for Female</b>	Aluminum/Natural	<b>£37.20</b>	<b>€39.00</b>
<b>815405014</b>	VOF 114	<b>Cap for Male</b>	Aluminum/Natural	<b>£48.50</b>	<b>€50.90</b>
<b>815405015</b>	VOF114	<b>Plug for Female</b>	Aluminum/Natural	<b>£47.20</b>	<b>€49.50</b>
<b>815405016</b>	VOF 112	<b>Cap for Male</b>	Aluminum/Natural	<b>£53.60</b>	<b>€56.30</b>
<b>815405017</b>	VOF112	<b>Plug for Female</b>	Aluminum/Natural	<b>£65.90</b>	<b>€69.20</b>
<b>815405018</b>	VOF200	<b>Cap for Male</b>	Aluminum/Natural	<b>£90.50</b>	<b>€95.00</b>
<b>815405019</b>	VOF200	<b>Plug for Female</b>	Aluminum/Natural	<b>£95.00</b>	<b>€99.70</b>

