

Series: VOF

Interchangeable with Snaptite 375 Series



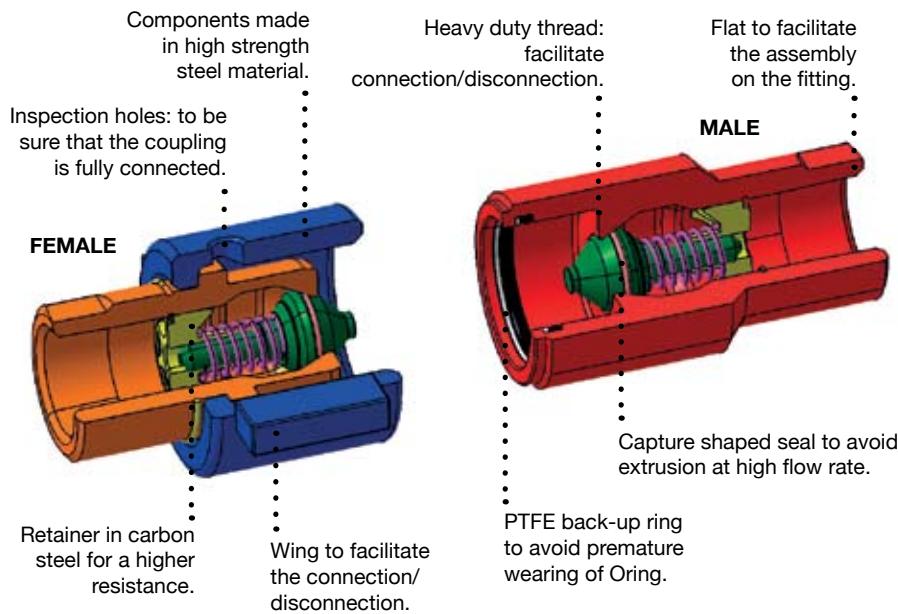
QUICK CONNECT COUPLINGS

Technical Features and Options

- Valve system: Poppet
- Mechanical connection: Thread
- Connection system: Screw to connect, unscrew to disconnect
- Connectable with residual pressure in one half side
- 3/4 - 1 - 1 1/4 - 1 1/2 - 2"
- Operation pressure: 35 Mpa / 5000 PSI Max flow = 1100 l/min 290 GPM
- Temperature range: From -20°C to 100°C

Materials

Construction material: High strength steel CRIII ZINC PLATED
Seals: NBR



How To Use

- Before connecting clean the mating parts of the couplings to avoid contamination in the circuit.
- To connect insert the nipples in the coupler, screw the sleeve until positive stop (surface contact of two moving parts).
- Check inspection holes to ensure that the coupling is fully connected (no free space allowed).
- To disconnect unscrew totally the sleeve from the nipple.

Warning!

- Please read carefully General instructions for selection and use of the products in our master catalogues.
- Do not couple-uncouple with flow and/or dynamic pressure in the circuit.
- Do not couple-uncouple when the temperature inside of the circuit is higher than 80 °C (176 °F).
- Do not connect with residual pressure in both half for safety reasons.
- When the couplings are disconnected, it is suggested to use the protection caps (aluminum caps are available for VOF).
- Check the maximum allowable working pressure of the port in use.



Performance

	Size		ISO Size		Rated Flow		Max. flow suggested		Connect torque*		Disconnect force		Spillage**
	Inch	mm	l/min	GPM	l/min	GPM	N	lbf	N	lbf	ml		
VOF34	3/4	20	106	28.09	212	56.18	1.2	0.89	0.6	0.44	11.5		
VOF100	1	25	189	50.09	378	100.17	1.6	1.18	1.1	0.81	21.16		
VOF114	1 1/4	31.5	288	76.32	576	152.64	2.8	2.07	1.9	1.40	42.3		
VOF112	1 1/2	40	379	100.44	758	200.87	4	2.95	3.6	2.66	86.5		
VOF200	2	50	757	200.61	1100	291,5	7,5	5,53	5,1	3,76	166		

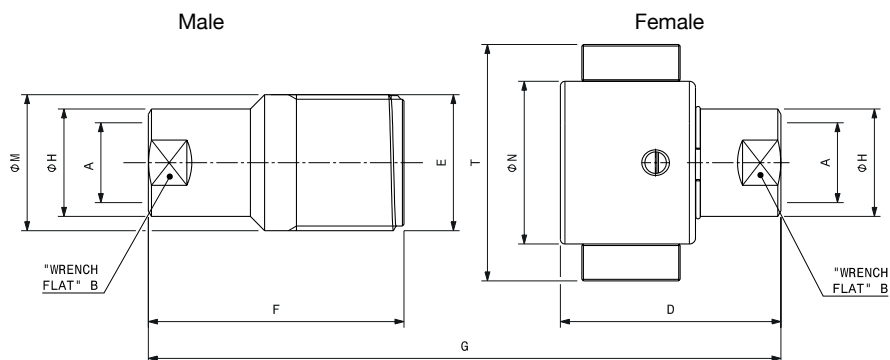
	Max. operating pressure						Burst pressure					
	Coupled		Nipple		Coupler		Coupled		Nipple		Coupler	
	MPa	psi	MPa	psi	MPa	psi	MPa	psi	MPa	psi	MPa	psi
VOF34	34,5	5000	34,5	5000	34,5	5000	137,9	20000	137,9	20000	100,0	14500
VOF100	34,5	5000	34,5	5000	34,5	5000	137,9	20000	137,9	20000	100,0	14500
VOF114	34,5	5000	34,5	5000	34,5	5000	137,9	20000	137,9	20000	100,0	14500
VOF112	34,5	5000	34,5	5000	34,5	5000	137,9	20000	137,9	20000	82,8	12000
VOF200	34,5	5000	34,5	5000	34,5	5000	100,0	14500	90,0	13050	75,9	11000

* Connect torque and disconnect torque without residual pressure. The torque increase with increasing of internal residual pressure.

** Spillage is an indicative value of the fluid loss per couple-uncouple cycle without residual pressure.

Series: VOF

Interchangeable with Snaptite 375 Series



Dimensions (mm)

NPT		Article no.	Body	A size	E	B	F	G	D	T	N	M	H	Weight Kg
VOF34	Female	811201002	3/4	3/4	1 3/4-8	31.75	83.2	123.6	71.8	77	53	44.3	35	0,61
	Male	811201003		NPT	Special									
VOF100	Female	811201000	1	1	2 1/4-6	41.28	105.8	152.9	87.3	105	69	57.15	45	1.375
	Male	811201001		NPT	Stub ACME									
VOF114	Female	811201004	1-1/4	1-1/4	2 5/8-6	50.8	136.7	197.9	112.4	116	80	66.67	54.5	2.273
	Male	811201005		NPT	Stub ACME									
VOF112	Female	811201006	1-1/2	1-1/2	3 1/4-4	57.15	151.2	220.3	126.9	145	95	82.55	63.5	3.841
	Male	811201007		NPT	Stub ACME									
VOF200	Female	811201008	2	2	4-4	76.2	179	255.2	154.2	182.5	122.5	101.6	82.6	8.103
	Male	811201009		NPT	Stub ACME									
BSP														
BSP		Article no.	Body	A size	E	B	F	G	D	T	N	M	H	Weight Kg
VOF34	Female	811200002	3/4	3/4	1 3/4-8	31.75	83.2	123.6	71.8	77	53	44.3	35	0,625
	Male	811200003		BSP	Special									
VOF100	Female	811200000	1	1	2 1/4-6	41.28	105.8	152.9	87.3	105	69	57.15	45	1.354
	Male	811200001		BSP	Stub ACME									
VOF114	Female	811200004	1-1/4	1-1/4	2 5/8-6	50.8	136.7	197.9	112.4	116	80	66.67	54.5	2.236
	Male	811200005		BSP	Stub ACME									
VOF112	Female	811200006	1-1/2	1-1/2	3 1/4-4	57.15	151.2	220.3	126.9	145	95	82.55	63.5	3.822
	Male	811200007		BSP	Stub ACME									
VOF200	Female	811200008	2	2	4-4	76.2	179	255.2	154.2	182.5	122.5	101.6	82.6	8.103
	Male	811200009		BSP	Stub ACME									



Series: VOF

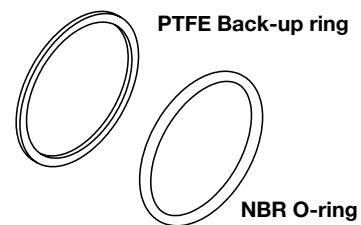
Interchangeable with Snaptite 75 Series

Article no.	Description	Price £	Price €
NPT THREAD			
811201002	F. VOF34 3/4 NPT	£68.10	€71.60
811201003	M. VOF34 3/4 NPT	£72.90	€76.50
811201000	F. VOF100 1 NPT	£82.40	€86.50
811201001	M. VOF100 1 NPT	£107.80	€113.20
811201004	F. VOF114 1 1/4 NPT	£145.80	€153.10
811201005	M. VOF114 1 1/4 NPT	£183.80	€193.00
811201006	F. VOF112 1 1/2 NPT	£226.60	€238.00
811201007	M. VOF112 1 1/2 NPT	£269.40	€282.90
811201008	F. VOF200 2 NPT	£351.80	€369.40
811201009	M. VOF200 2 NPT	£364.50	€382.70

Article no.	Description	Price £	Price €
BSP THREAD			
811200002	F. VOF34 3/4 BSP	£68.10	€71.60
811200003	M. VOF34 3/4 BSP	£72.90	€76.50
811200000	F. VOF100 1 BSP	£82.40	€86.50
811200001	M. VOF100 1 BSP	£107.80	€113.20
811200004	F. VOF114 1 1/4 BSP	£145.80	€153.10
811200005	M. VOF114 1 1/4 BSP	£183.80	€193.00
811200006	F. VOF112 1 1/2 BSP	£226.60	€238.00
811200007	M. VOF112 1 1/2 BSP	£269.40	€282.90
811200008	F. VOF200 2 BSP	£351.80	€369.40
811200009	M. VOF200 2 BSP	£364.50	€382.70

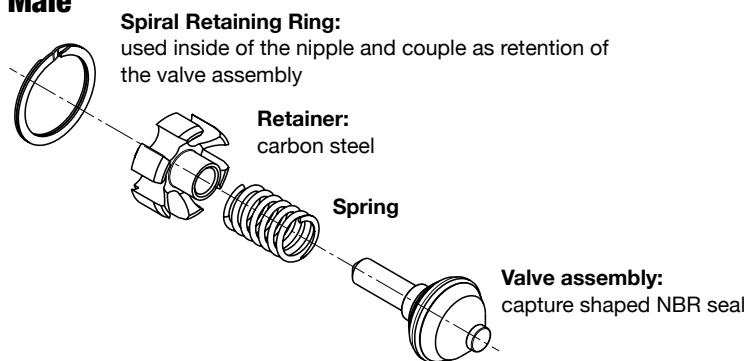
Spare Kit Seal For Nipple

Article no.	Description	Price £	Price €
815700956	VOF34	£6.60	€6.90
815700958	VOF100	£7.40	€7.80
815700960	VOF114	£8.90	€9.30
815700962	VOF112	£10.50	€11.00
815700964	VOF200	£13.70	€14.40



Spare Kit Internal Parts for Female and Male

Article no.	Description
815700957	VOF34
815700959	VOF100
815700961	VOF114
815700963	VOF112
815700965	VOF200



Protection Caps for VOF Series

Protective caps are always recommended to protect the couplings from damage, dirt inclusion, and will increase the product life. This is particularly important in Oil&Gas and mobile applications where exposure to weather and aggregate materials are common. The protection caps for VOF couplings are manufactured in aluminum (natural color).

Article no.	Size		Material	Price £	Price €
815405012	VOF 34	Cap for Male	Aluminum/Natural	£27.10	€28.50
815405013	VOF 34	Plug for Female	Aluminum/Natural	£27.10	€28.50
815405010	VOF 100	Cap for Male	Aluminum/Natural	£37.20	€39.00
815405011	VOF 100	Plug for Female	Aluminum/Natural	£37.20	€39.00
815405014	VOF 114	Cap for Male	Aluminum/Natural	£48.50	€50.90
815405015	VOF114	Plug for Female	Aluminum/Natural	£47.20	€49.50
815405016	VOF 112	Cap for Male	Aluminum/Natural	£53.60	€56.30
815405017	VOF112	Plug for Female	Aluminum/Natural	£65.90	€69.20
815405018	VOF200	Cap for Male	Aluminum/Natural	£90.50	€95.00
815405019	VOF200	Plug for Female	Aluminum/Natural	£95.00	€99.70

