



## How To Use

- Before connection, clean the flat face surfaces of quick coupling to avoid inclusion of dirt into the circuit.
- To couple push the male half towards the female half or vice versa until the coupler sleeve clicks. Upon connection the safety sleeve automatically rotates engaging the safety lock mechanism. In this safety lock position the coupling can not be disconnected until the operator aligns the sleeve in the proper position (safety locking ball aligned with groove in the coupler sleeve).
- To uncouple turn the external sleeve until the sleeve lock groove is aligned with the safety locking ball and pull back the sleeve.

## Warning!

- Do not use the female coupling disconnected with impulse pressure at high frequency.
- Do not couple-uncouple with flow and/or pressure in the circuit.
- Do not couple-uncouple when the temperature inside of the circuit is higher than 80°C (176°F).

## Series: A-HP

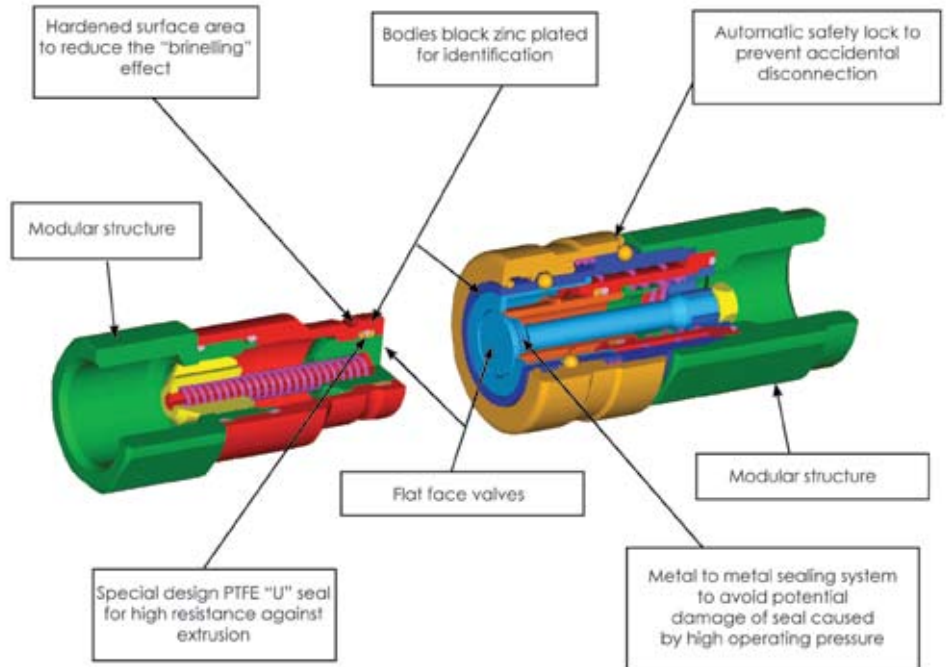
Higher Pressure Applications - 720 BAR

### Technical Features and Options

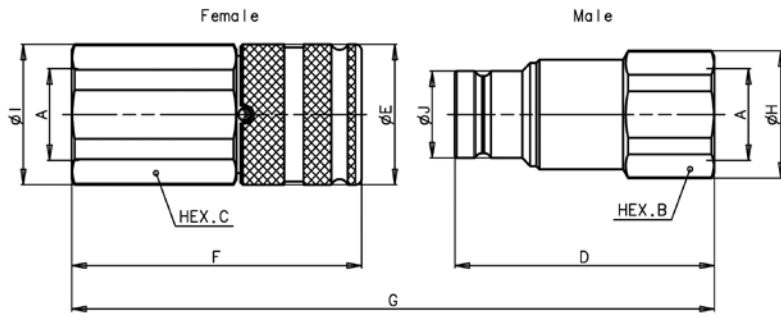
- Interchangeability: Stucchi internal specification
- Valve system: Flat face
- Mechanical connection: Locking balls
- Connection system: Push to connect
- Disconnection system: Pulling back the sleeve of the female
- Connection with residual pressure: Not allowed
- Disconnection with residual pressure: Not allowed
- Threads available: BSP, NPT
- Threads on request: Male NPT
- Temperature range:  
Standard seals NBR (Nitrile): from -20°C to +100°C (from -4°F to +212°F).

### Materials

Construction material:	High resistance carbon steel
Surface treatment:	CrIII zinc plated
External springs:	AISI 302
Internal springs:	C72 steel
Locking ball material:	Hard steel 100 C6
Seals:	NBR (Nitrile)
Seals on request:	Other kinds
Anti-extrusion rings:	PTFE



Series: A-HP



QUICK CONNECT COUPLINGS



Dimensions (mm)

Description	A	B	C	D	E	F	G	H	I	J	Weight	Male	Female
A4HP 1/8 BSP	1/8	17	17	36.2	22	44.0	72.3	18.5	21.8	12.0	Kg	0.041	0.090
A5HP 1/4 BSP	1/4	22	22	47.9	29	58	94.9	23.8	29	16.5	Kg	0.090	0.205
A5HP 1/4 BSP	3/8	24	24	54	29	60	103.9	26	29	16.1	Kg	0.107	0.209
A9HP 3/8 BSP	3/8	27	30	60	34	64.6	108.8	29	32	19.5	Kg	0.153	0.322
A9HP 1/2 BSP	1/2	27	30	62.5	34	69.6	116.3	29	32	19.5	Kg	0.144	0.308

Performance

	Size	ISO Size	Max. flow suggested		Connect force		Disconnect force		Spillage*
	Inch	mm	l/min	GPM	N	lbf	N	lbf	ml
<b>A4HP</b>	1/8	-	6	1,59	95	21.38	40	9.00	0,040
<b>A5HP</b>	1/4	-	24	6,36	125	28.13	45	10,13	0,020
<b>A9HP</b>	3/8	-	46	12,19	205	46.13	50	11.25	0,020

\* Spillage is an indicative value of the fluid loss per couple-uncouple cycle.

	Max. operating pressure						Burst pressure					
	Coupled		Male		Female		Coupled		Male		Female	
	MPa	psi	MPa	psi	MPa	psi	MPa	psi	MPa	psi	MPa	psi
<b>A4HP</b>	72	10440	72	10440	72	10440	160	23200	160	23200	160	23200
<b>A5HP</b>	72	10440	72	10440	50	7250	200	29000	200	29000	150	21750
<b>A9HP</b>	72	10440	72	10440	42	6090	180	26100	200	29000	125	18125

Article no.	Description	Price £	Price €
<b>BSP THREAD</b>			
<b>801600010</b>	F. A4HP 1/8 BSP	<b>£56.80</b>	<b>€59.60</b>
<b>801600011</b>	M. A4HP 1/8 BSP	<b>£32.60</b>	<b>€34.20</b>
<b>801600000</b>	F. A5HP 1/4 BSP	<b>£72.40</b>	<b>€76.10</b>
<b>801600001</b>	M. A5HP 1/4 BSP	<b>£29.00</b>	<b>€30.40</b>
<b>801600002</b>	F. A5HP 3/8 BSP	<b>£74.20</b>	<b>€77.90</b>
<b>801600003</b>	M. A5HP 3/8 BSP	<b>£30.70</b>	<b>€32.30</b>
<b>801600006</b>	F. A9HP 3/8 BSP	<b>£92.10</b>	<b>€96.70</b>
<b>801600007</b>	M. A9HP 3/8 BSP	<b>£58.00</b>	<b>€60.90</b>
<b>801600008</b>	F. A9HP 1/2 BSP	<b>£96.30</b>	<b>€101.10</b>
<b>801600009</b>	M. A9HP 1/2 BSP	<b>£62.20</b>	<b>€65.30</b>

Article no.	Description	Price £	Price €
<b>NPT THREAD</b>			
<b>801601014</b>	F. A4HP 1/8 NPT	<b>£57.60</b>	<b>€60.50</b>
<b>801601015</b>	M. A4HP 1/8 NPT	<b>£34.30</b>	<b>€36.00</b>
<b>801601004</b>	F. A5HP 1/4 NPT	<b>£73.30</b>	<b>€77.00</b>
<b>801601005</b>	M. A5HP 1/4 NPT	<b>£29.80</b>	<b>€31.30</b>
<b>801601008</b>	F. A5HP 3/8 NPT	<b>£75.00</b>	<b>€78.80</b>
<b>801601009</b>	M. A5HP 3/8 NPT	<b>£31.60</b>	<b>€33.20</b>
<b>801601010</b>	F. A9HP 3/8 NPT	<b>£62.10</b>	<b>€65.20</b>
<b>801601011</b>	M. A9HP 3/8 NPT	<b>£32.00</b>	<b>€33.60</b>
<b>801601012</b>	F. A9HP 1/2 NPT	<b>£98.00</b>	<b>€102.90</b>
<b>801601013</b>	M. A9HP 1/2 NPT	<b>£63.90</b>	<b>€67.10</b>