



Series: BIR - ISO A Carbon Steel

Technical Features and Options

- Interchangeability: ISO 7241-1 series "A"
- Valve system: Poppet valve
- Mechanical connection: Locking balls
- Connection system: Pulling back the sleeve and pushing one half towards the other
- Disconnection system: Pulling back the sleeve
- Connection with residual pressure: Not allowed
- Disconnection with residual pressure: Not allowed
- Threads available: BSP, NPT
- On request: Free flow version (no valving)
- Temperature range:
Standard seals NBR (Nitrile): from -20°C to +100°C (from -4°F to +212°F).
VITON seals: from -15°C to +180°C (from +5°F to +356°F).

How To Use

- Before connecting, clean the mating parts of the couplings to avoid contamination into the circuit.
- To couple pull back the sleeve of the female coupling, align the female with the male coupling and push one into the other until both halves are fully connected and release the sleeve.
- To uncouple pull back the sleeve of the female coupling, pull out the male half.

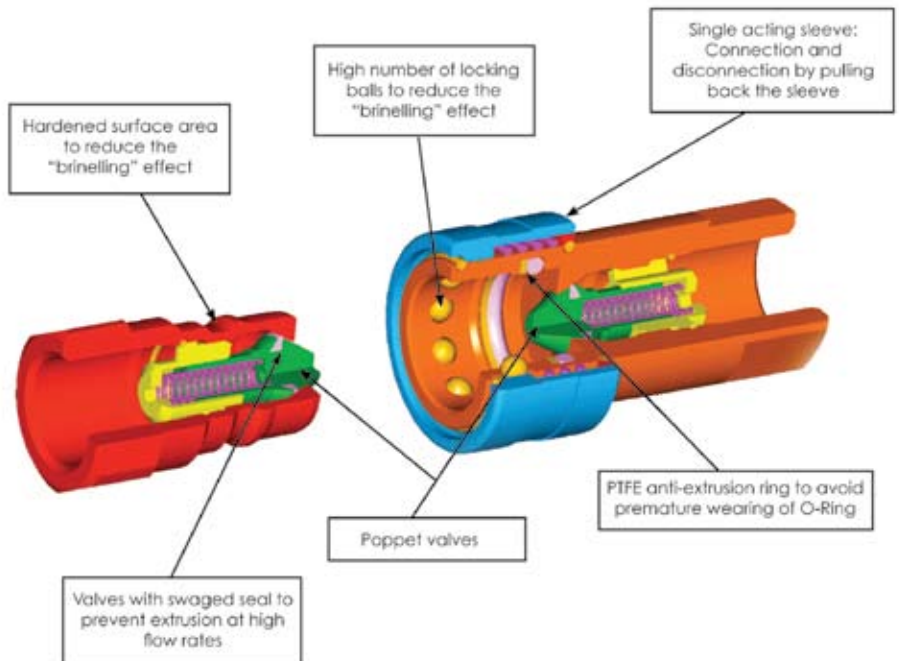
Warning!

- Do not couple-uncouple with flow and/or pressure in the circuit.
- Use protection whenever connecting or disconnecting with high temperature (max. allowed 80°C, 176°F).
- When the couplings are disconnected, we recommend the use of protection caps.

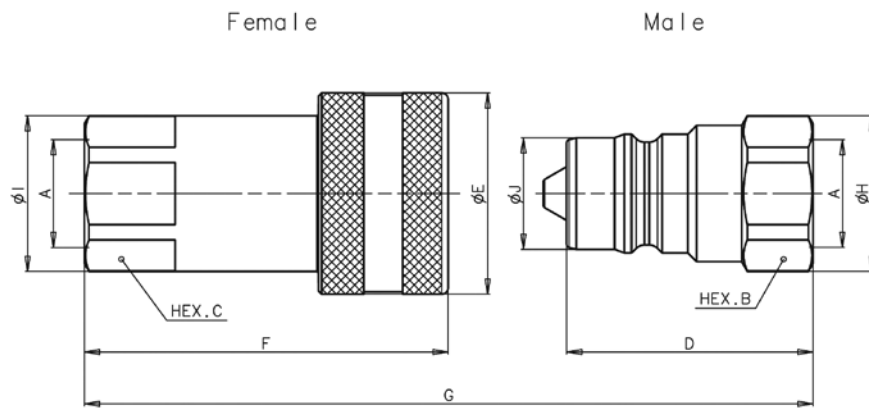
Materials

Construction material: Carbon steel
 Surface treatment: CrIII zinc plated
 Springs: C72 steel
 Balls: Hard steel 100 C6
 Seals: standard in NBR (Nitrile)
 Seals on request: VITON
 Anti-extrusion rings: PTFE

Article no.	Description	Price £	Price €
800500000	F. BIR14 BSP	£9.00	€9.40
800500001	M. BIR14 BSP	£3.80	€4.00
800500002	F. BIR38 BSP	£9.00	€9.40
800500003	M. BIR38 BSP	£3.80	€4.00
800500004	F. BIR12 BSP	£10.30	€10.80
800500005	M. BIR12 BSP	£3.80	€4.00
800500006	F. BIR34 BSP	£22.30	€23.40
800500007	M. BIR34 BSP	£8.40	€8.80
800500008	F. BIR100 BSP	£31.70	€33.30
800500009	M. BIR100 BSP	£17.50	€18.30
800500010	F. BIR114 BSP	£104.90	€110.10
800500011	M. BIR114 BSP	£56.00	€58.80
800500012	F. BIR112 BSP	£104.90	€110.10
800500013	M. BIR112 BSP	£56.00	€58.80
800500014	F. BIR200 BSP	£282.80	€297.00
800500015	M. BIR200 BSP	£156.30	€164.10



Series: BIR - ISO A Carbon Steel



Dimensions (mm)

	A	B	C	D	E	F	G	H	I	J	Weight	Male	Female
BIR14 BSP	1/4	19	19	32	26	47,1	64,8	20,8	22	11,8	Kg	0,031	0,095
BIR38 BSP	3/8	22	X22	38	31	56,1	76,8	24	24	17,3	Kg	0,052	0,144
BIR12 BSP	1/2	27	27	44,5	38	63,3	86,3	29	30	20,5	Kg	0,084	0,245
BIR34 BSP	3/4	36	38	55	48	82,2	111,1	38,5	44	29,1	Kg	0,205	0,494
BIR100 BSP	1	41	45	63,1	54	97,1	127,3	44,8	52	34,3	Kg	0,275	0,760
BIR114 BSP	1-1/4	55	50	75	65	117,2	151,2	60	55,5	45	Kg	0,593	1,252
BIR112 BSP	1-1/2	60	60	85	80	135,3	171,3	65,5	65,5	55	Kg	0,880	2,130
BIR200 BSP	2	75	75	100	100	160,2	201,2	82,5	83,7	65	Kg	1,438	4,130

Performance

	Size	ISO Size	Max. flow suggested		Connect force		Disconnect force		Spillage*
	Inch	mm	l/min	GPM	N	lbf	N	lbf	ml
BIR14	1/4	6,3	12	3,18	60	13,50	25	5,63	0,70
BIR38	3/8	10,0	46	12,19	90	20,25	30	6,75	1,20
BIR12	1/2	12,5	90	23,85	70	15,75	55	12,38	2,10
BIR34	3/4	20,0	148	39,22	140	31,50	55	12,38	5,20
BIR100	1	25,0	200	53,00	190	42,75	55	12,38	9,00
BIR114	1-1/4	31,5	378	100,17	230	51,75	55	12,38	27,00
BIR112	1 1/2	40	750	198,75	250	56,25	100	22,50	49,00
BIR200	2	50	1000	265,00	280	63,00	35	7,88	75,00

* Spillage is an indicative value of the fluid loss per couple-uncouple cycle.

	Max. operating pressure						Burst pressure					
	Coupled		Male		Female		Coupled		Male		Female	
	MPa	psi	MPa	psi	MPa	psi	MPa	psi	MPa	psi	MPa	psi
BIR14	35	5075	35	5075	35	5075	126	18270	126	18270	126	18270
BIR38	30	4350	30	4350	30	4350	100	14500	100	14500	100	14500
BIR12	25	3625	25	3625	25	3625	80	11600	80	11600	100	14500
BIR34	25	3625	25	3625	25	3625	100	14500	100	14500	100	14500
BIR100	23	3335	23	3335	23	3335	80	11600	80	11600	80	11600
BIR114	23	3335	23	3335	23	3335	80	11600	80	11600	80	11600
BIR112	18	2610	18	2610	13	1885	64	9280	64	9280	64	9280
BIR200	13	1885	13	1885	13	1885	40	5800	40	5800	40	5800

QUICK CONNECT COUPLINGS

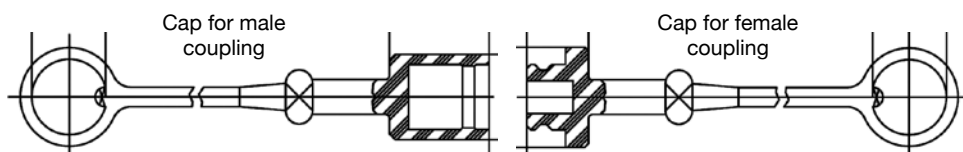


Stucchi®



Protection Caps ISO 'A' BIR Series

Red dust caps are stocked as standard



Red dust caps are stocked as standard

Article no.	Description	Price £	Price €
RED CAP FOR ISO A			
815000012	CAP F. BIR14 RED	£1.30	€1.40
815000013	CAP M. BIR14 RED	£1.30	€1.40
815000014	CAP F. BIR38 RED	£1.50	€1.60
815000015	CAP M. BIR38 RED	£1.50	€1.60
815000004	CAP F. BIR12 RED	£1.50	€1.60
815000005	CAP M. BIR12 RED	£1.50	€1.60
815000016	CAP F. BIR34 RED	£1.60	€1.70
815000017	CAP M. BIR34 RED	£1.60	€1.70
815000018	CAP F. BIR100 RED	£2.80	€2.90
815000019	CAP M. BIR100 RED	£2.80	€2.90
YELLOW CAP FOR ISO A			
815001012	CAP F. BIR14 YELLOW	£1.30	€1.40
815001013	CAP M. BIR14 YELLOW	£1.30	€1.40
815001014	CAP F. BIR38 YELLOW	£1.50	€1.60
815001015	CAP M. BIR38 YELLOW	£1.50	€1.60
815001004	CAP F. BIR12 YELLOW	£1.50	€1.60
815001005	CAP M. BIR12 YELLOW	£1.50	€1.60
815001016	CAP F. BIR34 YELLOW	£1.60	€1.70
815001017	CAP M. BIR34 YELLOW	£1.60	€1.70
815001018	CAP F. BIR100 YELLOW	£2.80	€2.90
815001019	CAP M. BIR100 YELLOW	£2.80	€2.90
815001020	CAP F. IRS12VA YELLOW	£1.50	€1.60
BLUE CAP FOR ISO A			
815002012	CAP F. BIR14 BLUE	£1.30	€1.40
815002013	CAP M. BIR14 BLUE	£1.30	€1.40
815002014	CAP F. BIR38 BLUE	£1.50	€1.60
815002015	CAP M. BIR38 BLUE	£1.50	€1.60
815002004	CAP F. BIR12 BLUE	£1.50	€1.60
815002005	CAP M. BIR12 BLUE	£1.50	€1.60
815002016	CAP F. BIR34 BLUE	£1.60	€1.70
815002017	CAP M. BIR34 BLUE	£1.60	€1.70
815002018	CAP F. BIR100 BLUE	£2.80	€2.90
815002019	CAP M. BIR100 BLUE	£2.80	€2.90
815002020	CAP F. IRS12VA BLUE	£1.50	€1.60

Article no.	Description	Price £	Price €
BLACK CAP FOR ISO A			
815003012	CAP F. BIR14 BLACK	£1.30	€1.40
815003013	CAP M. BIR14 BLACK	£1.30	€1.40
815003014	CAP F. BIR38 BLACK	£1.50	€1.60
815003015	CAP M. BIR38 BLACK	£1.50	€1.60
815003004	CAP F. BIR12 BLACK	£1.50	€1.60
815003005	CAP M. BIR12 BLACK	£1.50	€1.60
815003016	CAP F. BIR34 BLACK	£1.60	€1.70
815003017	CAP M. BIR34 BLACK	£1.60	€1.70
815003018	CAP F. BIR100 BLACK	£2.80	€2.90
815003019	CAP M. BIR100 BLACK	£2.80	€2.90
815003020	CAP F. IRS12VA BLACK	£1.50	€1.60
WHITE CAP FOR ISO A			
815005012	CAP F. BIR14 WHITE	£1.30	€1.40
815005013	CAP M. BIR14 WHITE	£1.30	€1.40
815005014	CAP F. BIR38 WHITE	£1.50	€1.60
815005015	CAP M. BIR38 WHITE	£1.50	€1.60
815005004	CAP F. BIR12 WHITE	£1.50	€1.60
815005005	CAP M. BIR12 WHITE	£1.50	€1.60
815005016	CAP F. BIR34 WHITE	£1.60	€1.70
815005017	CAP M. BIR34 WHITE	£1.60	€1.70
815005018	CAP F. BIR100 WHITE	£2.80	€2.90
815005019	CAP M. BIR100 WHITE	£2.80	€2.90
815005020	CAP F. IRS12VA WHITE	£1.50	€1.60
GREY CAP FOR ISO A			
815009016	CAP F. BIR34 GREY	£1.60	€1.70
815009017	CAP M. BIR34 GREY	£1.60	€1.70
ORANGE CAP FOR ISO A			
815007004	CAP F. BIR12 / IR12 ORANGE	£1.50	€1.60
815007005	CAP M. BIR12 / IR12 ORANGE	£1.50	€1.60