



SERIES: IP - Breakaway - Push/Pull

Technical Features and Options

- Interchangeability: ISO 7241-1 series "A"
- Valve system: Poppet valve
- Mechanical connection: Locking balls
- Connection with Push-pull system : possible with panel mounting female option
- **Connection system: Pushing the male coupling (push)**
- **Disconnection system: Pulling the male coupling (pull)**
- Connection with residual pressure: Not allowed
- Disconnection with residual pressure: Not allowed
- Threads available: BSP (DIN 3852), metric (DIN 3852 and DIN 2353 / ISO 8434-1)
- Temperature range: Standard seals NBR (Nitrile): from -20 °C to +100 °C
- Breakaway junction avoids damaging hydraulic hose in cases of accidental disconnection

How To Use

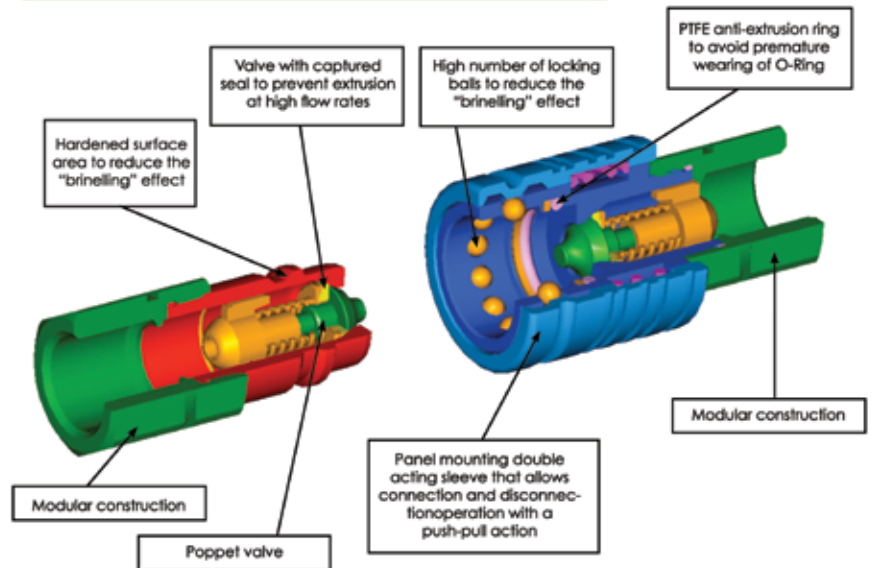
- For the breakaway function, the female coupling must be mounted in a panel, locking the sleeve using seeger/ snap rings.
- Provide the IP female with a flexible hose, in order to permit the movements of the internal body during connection and disconnection of the couplings.
- Before connecting clean the mating parts of the couplings to avoid contamination in the circuit.
- To couple push the male coupling into the female coupling.
- To uncouple pull the male coupling.

Materials

Construction material: Carbon steel
 Surface treatment: CrIII zinc plated
 Springs: C72 steel
 Balls: Hard steel 100 C6
 Internal valve guidance with mechanical stop in brass
 Seals: standard in NBR (Nitrile)
 Seals on request: VITON
 Anti-extrusion: PTFE

Warning!

- Do not couple-uncouple with flow and/or pressure in the circuit.
- Do not couple-uncouple when the temperature inside of the circuit is higher than 80 °C (176 °F).
- When the couplings are disconnected, it is suggested to use the protection caps ISO A - BIR series.
- I-IP 14 type "D" couplings are not ISO7241-1/A interchangeable.**
- Check the maximum allowable working pressure of the port in use: L or S type (DIN 2353 / ISO 8434-1) etc.



Performance

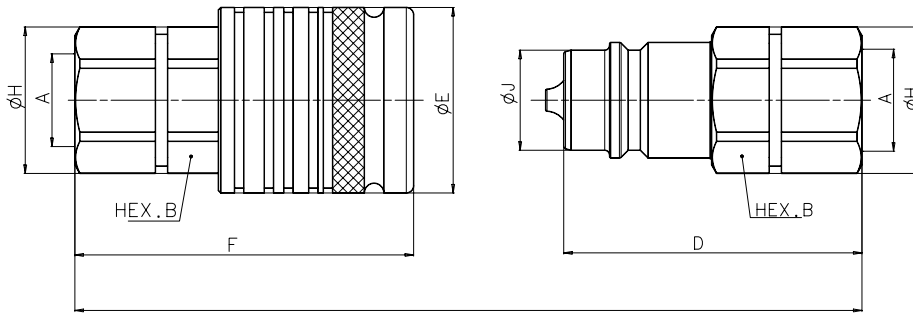
	Size		ISO Size		Rated Flow		Max. flow suggested		Connect force		Disconnect force		Spillage*
	Inch	mm	l/min	GPM	l/min	GPM	N	lbf	N	lbf	ml		
IP14D**	1/4	6,3	12	3,18	24	6,36	27	6,08	17	3,83	0,30		
IP38	3/8	10,0	23	6,10	46	12,19	75	16,88	30	6,75	1,20		
IP12	1/2	12,5	45	11,93	90	23,85	90	20,25	80	18,00	1,80		
IP34	3/4	20,0	74	19,61	148	39,22	130	29,25	70	15,75	5,20		
IP100	1	25,0	100	26,50	200	53,00	300	67,50	70	15,75	13,00		

* Spillage is an indicative value of the fluid loss per couple-uncouple cycle without residual pressure.

** I-IP 14 type "D" couplings are not ISO7241-1/A interchangeable.

	Max. operating pressure						Burst pressure					
	Coupled		Male		Female		Coupled		Male		Female	
	MPa	psi	MPa	psi	MPa	psi	MPa	psi	MPa	psi	MPa	psi
IP14D**	35	5075	35	5075	35	5075	110	15950	126	18270	126	18270
IP38	30	4350	30	4350	30	4350	100	14500	100	14500	100	14500
IP12	25	3625	25	3625	25	3625	90	13050	100	14500	100	14500
IP34	25	3625	25	3625	25	3625	90	13050	100	14500	100	14500
IP100	25	3625	25	3625	25	3625	80	11600	100	14500	100	14500

SERIES: IP



QUICK CONNECT COUPLINGS

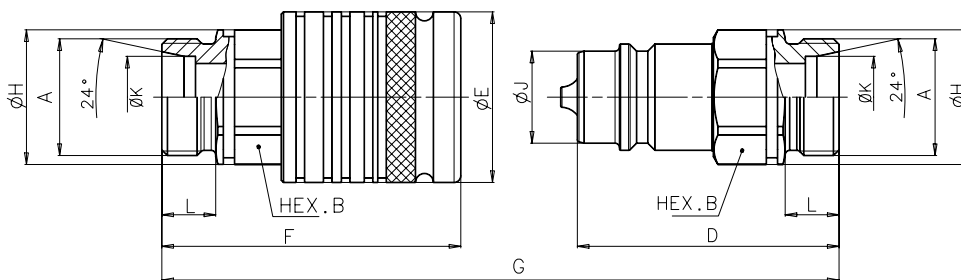


Stucchi®

Dimensions (mm)

	Body Size	ISO DN	A	HEX B	D	E	F	G	H	J	Article no.	Price £	Price €
BSP THREAD													
F. IP38 1/4 BSP	3/8"	10	1/4"	22	49.3	32	67.5	99.2	24	17.25	F 809400008	£17.90	€18.80
M. I38 1/4 BSP											M 809400009	£9.50	€10.00
F. IP38 3/8 BSP	3/8"	10	3/8"	22	52.3	32	70.5	105.5	24	17.25	F 809400010	£17.10	€17.90
M. I38 3/8 BSP											M 809400011	£8.80	€9.20
F. IP38 3/8BSP EST DIN3852-2-A	3/8"										F 809400012	£17.90	€18.80
M. I38 3/8 BSP EST DIN3852-2-A											M 809400013	£9.50	€10.00
F. IP12 1/2 BSP	1/2"	12.5	1/2"	27	61.1	38	69.4	108.6	30	20.5	F 809400000	£14.80	€15.50
M. I12GS 1/2 BSP											M 809400001	£7.30	€7.70
F. IP12 1/2 BSP EST	1/2"										F 809400002	£16.00	€16.80
M. I12GS 1/2 BSP EST											M 809400003	£8.60	€9.00
F. IP12 3/8 BSP	1/2"	12.5	3/8"	27	57.3	38	65.6	101	30	20.5	F 809400004	£14.80	€15.50
M. I12GS 3/8 BSP											M 809400005	£7.30	€7.70
M. I12GS 3/8 BSP EST											M 809400007	£8.60	€9.00
F. I34 3/4 BSP	3/4"	20	3/4"	36	64.4	46	91.5	129.3	40	29	F 809400014	£45.40	€47.70
M. I34 3/4 BSP											M 809400015	£22.50	€23.60
F. IP100 3/4 BSP	1"	22	3/4"	41	69.5	54	103.5	139.6	45	34.3	F 809400016	£52.00	€54.60
M. I100 3/4 BSP											M 809400017	£27.10	€28.40
F. IP100 1' BSP	1"	25	1"	41	75	54	109	150.6	45	34.3	F 809400018	£52.00	€54.60
M. I100 1' BSP											M 809400019	£27.10	€28.40
NPT THREAD													
F. IP12 1/2 NPT	1/2"	15.5	1/2 NPT	27	59.8	38	68.1	106	30	20.5	F 809401000	£16.70	€17.50
M. I12GS 1/2 NPT											M 809401001	£8.60	€9.00
M. I34 3/4 NPT											M 809401003	£25.00	€26.30

SERIES: IP



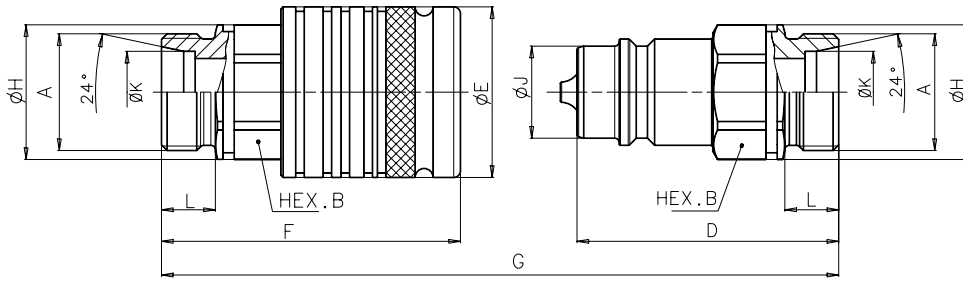
Dimensions (mm)

	Body Size	ISO DN	A	HEX B	D	E	F	G	H	J	K	L	Article no.	Price £	Price €
METRIC THREAD 24° CONE - L Series															
F. IP14D L8	1/4"	6.3	M14x1.5	19	45	26	62.9	90.5	21	11.9	8.2	10	F 809408010	£20.70	€21.70
M. I14D L8													M 809408011	£11.40	€12.00
F. IP38 L8	3/8"	10	M14x1.5	22	46.3	32	64.5	93.2	24	17.25	8.2	10	F 809408012	£17.30	€18.20
M. I38 L8													M 809408013	£9.00	€9.40
F. IP38 L10	3/8"	10	M16x1.5	22	47.3	32	65.5	95.2	24	17.25	10.2	11	F 809408014	£17.30	€18.20
M. I38 L10													M 809408015	£9.00	€9.40
F. IP12 L12	1/2"	12.5	M18x1.5	27	57.3	38	84.6	120	30	20.5	12.2	30	F 809408000	£13.90	€14.60
M. I12GS L12													M 809408001	£6.70	€7.00
F. IP12 L8	1/2"	12.5	M14x1.5	27	57.3	38	65.6	101	30	20.5	8.2	10	F 809408002	£13.90	€14.60
M. I12GS L8													M 809408003	£6.70	€7.00
F. IP12 L15	1/2"	12.5	M22x1.5	27	58.3	38	66.6	103	30	20.5	15.2	12	F 809408004	£13.90	€14.60
M. I12GS L15													M 809408005	£6.70	€7.00
F. IP12 L10	1/2"	12.5	M16x1.5	27	57.3	38	65.6	101	30	20.5	10.2	11	F 809408006	£13.90	€14.60
M. I12GS L10													M 809408007	£6.70	€7.00
F. IP12 L18	1"	12.5	M26x1.5	27	58.3	38	66.6	103	30	20.5	18.2	12	F 809408008	£13.90	€14.60
M. I12GS L18													M 809408009	£6.70	€7.00
M. I34 L12													M 809408023	£25.00	€26.30
F. I34 L15	3/4"	20	M22x1.5	36	-	46	86.1	-	40	-	15.2	12	F 809408024	£47.40	€49.70
F. I34 L18	3/4"	20	M26x1.5	36	60	46	87.1	120.5	40	29	18.2	12	F 809408026	£47.40	€49.70
M. I34 L18													M 809408027	£25.00	€26.30
F. I34 L22	3/4"	20	M30x2	36	61	46	88	122.4	40	29	22	14	F 809408028	£47.40	€49.70
M. I34 L22													M 809408029	£25.00	€26.30
F. IP100 L15	1"	25	M22x1.5	41	69	54	103	138.6	45	34.3	15.2	12	F 809408030	£52.40	€55.00
M. I100 L15													M 809408031	£27.50	€28.80
F. IP100 L18	1"	25	M26x1.5	41	69	54	103	138.6	45	34.3	18.2	12	F 809408032	£52.40	€55.00
M. I100 L18													M 809408033	£27.50	€28.80
F. IP100 L22	1"	25	M30x2	41	71	54	105	142.6	45	34.3	22.2	14	F 809408034	£52.40	€55.00
M. I100 L22													M 809408035	£27.50	€28.80
F. IP100 L28	1"	25	M36x2	41	71	54	105	142.6	45	34.36	28.2	14	F 809408036	£52.40	€55.00
M. I100 L28													M 809408037	£27.50	€28.80



Stucchi®

SERIES: IP



QUICK CONNECT COUPLINGS

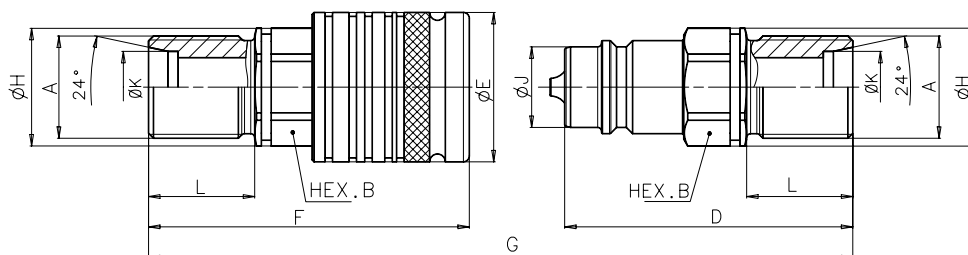
Dimensions (mm)

	Body Size	ISO DN	A	HEX B	D	E	F	G	H	J	K	L	Article no.	Price £	Price €
METRIC THREAD 24° CONE - S Series															
F. IP38 S10	3/8"	10	M18x1.5	22	48.3	32	66.5	97.2	24	17.25	10.2	12	F 809409006	£19.00	€20.00
M. I38 S10													M 809409007	£10.50	€11.00
F. IP38 S12	3/8"	10	M20x1.5	22	-	32	66.5	-	24	-	12.2	12	F 809409008	£19.00	€20.00
F. IP38 S8	3/8"	10	M16x1.5	22	-	32	66.5	-	24	-	8.2	12	F 809409010	£19.00	€20.00
F. IP12 S10	1/2"	12.5	M18x1.5	27	58.3	38	66.6	103	30	20.5	10.2	12	F 809409000	£14.80	€15.50
M. I12GS S10													M 809409001	£7.30	€7.70
F. IP12 S12	1/2"	12.5	M20x1.5	27	58.3	38	66.6	103	30	20.5	12.2	12	F 809409002	£14.80	€15.50
M. I12GS S12													M 809409003	£7.30	€7.70
F. IP12 S14	1/2"	12.5	M22x1.5	27	60.3	38	68.6	107	30	20.5	14.2	14	F 809409004	£14.80	€15.50
M. I12GS S14													M 809409005	£7.30	€7.70
M. I34 S20													M 809409013	£25.00	€26.30
F. IP100 S20	1"	25	M30x2	41	73	54	107	146.6	45	34.3	20.2	16	F 809409014	£52.80	€55.50
M. I100 S20													M 809409015	£27.70	€29.10
F. IP100 S25	1"	25	M36x2	41	75	54	109	150.6	45	34.3	25.2	18	F 809409016	£52.80	€55.50
M. I100 S25													M 809409017	£27.70	€29.10



Stucchi®

SERIES: IP



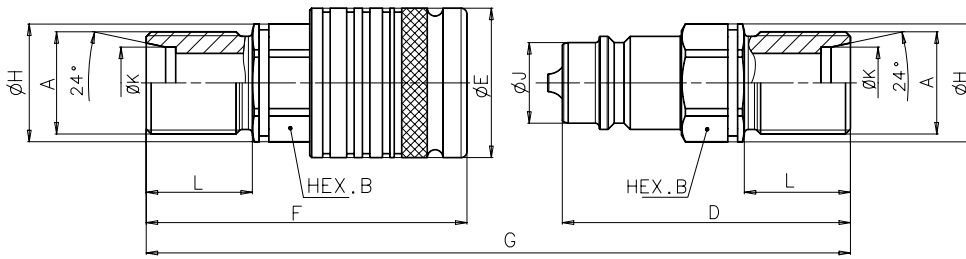
Dimensions (mm)

	Body Size	ISO DN	A	HEX B	D	E	F	G	H	J	K	L	Article no.	Price £	Price €
METRIC THREAD 24° CONE - L Series BULKHEAD															
F. IP14D L8 SCHOTT													F 809410010	£22.20	€23.30
M. I14D L8 SCHOTT	1/4"	6.3	M14x1.5	19	60	26	77.9	120.5	21	11.9	8.2	25	M 809410011	£12.50	€13.10
F. IP38 L8 SCHOTT													F 809410012	£18.70	€19.60
M. I38 L8 SCHOTT	3/8"	10	M14x1.5	22	61.3	32	79.5	123.2	24	17.25	8.2	25	M 809410013	£9.80	€10.30
F. IP38 L10 SCHOTT													F 809410014	£18.70	€19.60
M. I38 L10 SCHOTT	3/8"	10	M16x1.5	22	62.3	32	80.5	125.2	24	17.25	10.2	26	M 809410015	£9.80	€10.20
M. I38 L12 SCHOTT													M 809410017	£18.70	€19.60
M. I38 L6 SCHOTT													M 809410019	£18.70	€19.60
F. IP12 L12 SCHOTT													F 809410000	£16.80	€17.70
M. I12GS L12 SCHOTT	1/2"	12.5	M18x1.5	27	76.3	38	84.6	139	30	20.5	12.2	30	M 809410001	£8.80	€9.30
F. IP12 L8 SCHOTT													F 809410002	£16.80	€17.70
M. I12GS L8 SCHOTT	1/2"	12.5	M14x1.5	27	73.3	38	81.6	133	30	20.5	8.2	26	M 809410003	£8.80	€9.30
F. IP12 L15 SCHOTT													F 809410004	£16.80	€17.70
M. I12GS L15 SCHOTT	1/2"	12.5	M22x1.5	27	73.3	38	81.6	133	30	20.5	15.2	27	M 809410005	£8.80	€9.30
F. IP12 L10 SCHOTT													F 809410006	£16.80	€17.70
M. I12GS L10 SCHOTT	1/2"	12.5	M16x1.5	27	72.3	38	80.6	131	30	20.5	10.2	26	M 809410007	£8.80	€9.30
F. IP12 L18 SCHOTT													F 809410008	£16.80	€17.70
M. I12GS L18 SCHOTT	1/2"	12.5	M26x1.5	27	73.3	38	81.6	133	30	20.5	18.2	27	M 809410009	£8.80	€9.30
F. I34 L15 SCHOTT													F 809410024	£54.40	€57.10
M. I34 L15 SCHOTT	3/4"	20	M22x1.5	36	74	46	101.1	148.5	40	29	152	27	M 809410025	£27.50	€28.90
M. I34 L18 SCHOTT													M 809410027	£27.50	€28.90
F. I34 L22 SCHOTT													F 809410028	£54.40	€57.10
M. I34 L22 SCHOTT	3/4"	20	M30x2	36	83	46	110.1	166.5	40	29	22	36	M 809410029	£27.50	€28.90
F. IP100 L18 SCHOTT	1"	25	M26x1.5	41	-	54	123	-	45	34.3	18.2	32	F 809410032	£57.10	€60.00
F. IP100 L22 SCHOTT	1"	25	M30x2	41	-	54	125	-	45	34.3	22.2	34	F 809410034	£57.10	€60.00
F. IP100 L28 SCHOTT	1"	25	M36x2	41	-	54	125	-	45	34.3	28.2	34	F 809410036	£57.10	€60.00



Stucchi®

SERIES: IP



QUICK CONNECT COUPLINGS



Stucchi®

Dimensions (mm)

	Body Size	ISO DN	A	HEX B	D	E	F	G	H	J	K	L	Article no.	Price £	Price €
METRIC THREAD 24° CONE - S Series BULKHEAD															
F. IP12 S10 SCHOTT	1/2"	12.5	M18x1.5	27	73.3	38	81.6	133	30	20.5	10.2	27	F 809411000	£17.60	€18.40
M. I12GS S10 SCHOTT													M 809411001	£9.10	€9.50
M. I12GS S12 SCHOTT	1/2"	12.5	M20x1.5	27	73.3	38	81.6	132.3	30	20.5	12.2	27	M 809411003	£9.10	€9.50
F. IP12 S16 SCHOTT	1/2"	12.5	M24x1.5	27	75.3	38	83.6	137	30	20.5	16.2	29	F 809411006	£16.70	€17.50
M. I12GS S16 SCHOTT													M 809411007	£8.60	€9.00
F. I34 S16 SCHOTT	3/4"	20	M24x1.5	36	76	46	103.1	152.5	40	29	16.2	29	F 809411010	£54.40	€57.10
M. I34 S16 SCHOTT													M 809411011	£27.50	€28.90
F. I34 S20 SCHOTT	3/4"	20	M30x2	36	83	46	110.1	166.5	40	29	20	36	F 809411012	£54.40	€57.10
M. I34 S20 SCHOTT													M 809411013	£27.50	€28.90
F. IP100 S20 SCHOTT	1"	25	M30x2	41	95	54	129	190.6	45	34.3	20.2	38	F 809411014	£57.70	€60.60
M. I100 S20 SCHOTT													M 809411015	£31.50	€33.00
F. IP100 S25 SCHOTT	1"	25	M36x2	41	95	54	129	190.6	45	34.3	25.2	38	F 809411016	£57.70	€60.60
M. I100 S25 SCHOTT													M 809411017	£31.50	€33.00

Series: IP

PROTECTION CAPS FOR IP SERIES

Protective caps are always recommended to protect the couplings from damage or dirt inclusion, and increase the product life. This is particularly important in mobile applications where contamination can enter the coupling and compromise the function. The caps for "IP" SERIES are manufactured in soft PVC and they are available in several colors.

A flip cap version is also available for the size 1/2"

PVC CAPS

- Standard: soft PVC, red color.
- Also available in following colors: yellow, blue, black, green, white and orange.
- Temperature range: from -20 °C to +100 °C (from -4 °F to +212 °F).

Size	Plug for Female	Cap for Male	Price £	Price €
IP38	815000014	815000015	£1.50	€1.60
IP12	815000004	815000005	£1.50	€1.60
P34	815000016	815000017	£1.60	€1.70
IP100	815000018	815000019	£2.70	€2.90



NYLON CAPS

- Standard: Plastic material, red color.
- Also available in following colors: yellow, blue, black and green.
- Temperature range: from -20 °C to +100 °C (from -4 °F to +212 °F).

Size	Flip cap for female	Price £	Price €
IP12	815200004	ON REQUEST	

