



Series: IFR Trailer Break Coupling

- Interchangeability: ISO 5676 'NF U 16-006'
- Available sizes: 3/8"
- Operating pressure: Up to 150 bar
- Valving style: Flat face - limited spill
- Valve system: Special valve system with limited spillage.
- Locking mechanism: Locking ball system
- Connection system: Single acting sleeve
- Connection under pressure: Connection: not allowed Disconnection: not allowed
- Threads available: BSP (DIN 3852), Metric (DIN 3852)
- Temperature range:
 - Standard seals NBR (Nitrile): from -20 °C to +100 °C (from -4 °F to +212 °F).

How To Use

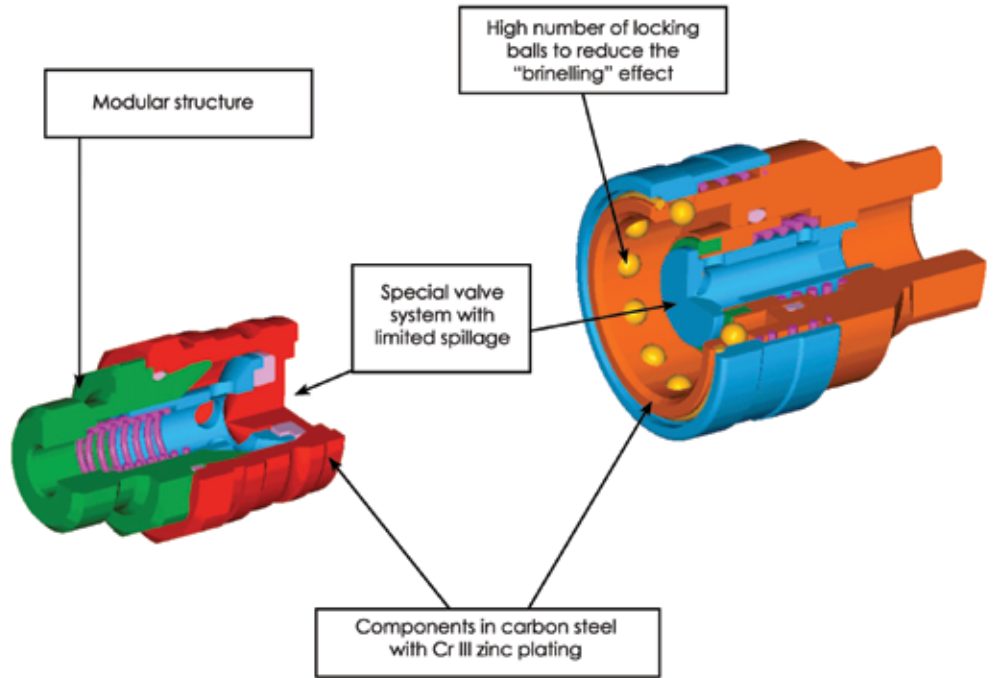
- Before to connect, clean the mating surface of the couplings to avoid dirt inclusion in the circuit.
- To connect pull back the sleeve of the female coupling, align the female with the male coupling and push one into the other until both halves are fully connected and release the sleeve.
- To disconnect push back the sleeve of the female coupling, pull out the mating half.

Materials

Construction: High strength carbon steel
 Surface treatment: Cr III zinc plating
 Springs: C72 steel
 Balls: Hard steel 100 C6
 Seals: standard in NBR (Nitrile)

Tests performed:

- The couplings have been tested at max. operating pressure for 100.000 impulses according to ISO 7241-2 test method.



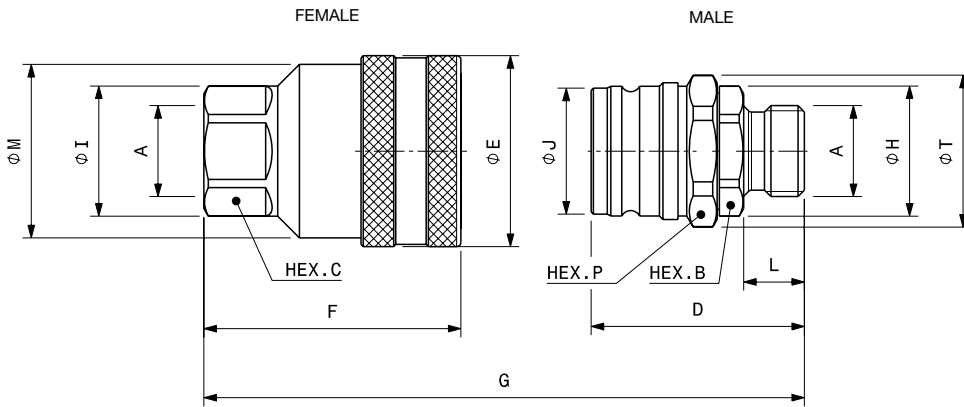
Performance

	Size	Rated Flow		Connect force		Disconnect force		Spillage*
	Inch	l/min	GPM	N	lbf	N	lbf	ml
IFR8	3/8	23	6.10	170	38.25	27	6.08	0.06

* Spillage is an indicative value of the fluid loss per couple-uncouple cycle.

	Max. operating pressure						Burst pressure					
	Coupled		Male		Female		Coupled		Male		Female	
	MPa	psi	MPa	psi	MPa	psi	MPa	psi	MPa	psi	MPa	psi
IFR8	15	2175	15	2175	15	2175	100	14500	80	11600	30	4350

Series: **IFR** Trailer Break Coupling



QUICK CONNECT COUPLINGS

Dimensions (mm) - FEMALE THREAD BSPP (ISO 1179-1) - FEMALE THREAD METRIC

	Body Size	ISO DN	Port A	Overall Length	F	HEX C	M	I	E	Weight Kg
F IFR8 3/8 BSP	3/8"	6.3	G3/8"	G G = F+D-15	56.2	27	40	30	44	0.36
F IFR8 1/2 BSP	3/8"	6.3	G1/2"	G G = F+D-15	56.2	27	40	30	44	0.43
F IFR8 M18X1.5	3/8"	6.3	M18X1.5	G G = F+D-15	56.2	27	40	30	44	0.36

Article no.	Price £	Price €
800200048	£22.30	€23.40
800200050	£22.30	€23.40
800212000	£22.30	€23.40

Dimensions (mm) - MALE THREAD BSP (DIN 3852-2 form A) - MALE THREAD METRIC L series 24° (ISO 8434-1 & DIN 2353)

	Body Size	ISO DN	Port A	Overall Length	D	L	HEX B	HEX P	T	H	J	Weight Kg
M IFR8 1/2 BSP EST	3/8"	6.3	G1/2"	G G = F+D-15	49.1	14	27	32	35	30	29	0.36
M IFR8 L12VSCHOTT 23	3/8"	6.3	M18X1.5	G G = F+D-15	58.1	23	27	32	35	30	30	0.43
M IFR8 M20X1.5 EST	3/8"	6.3	M20X1.5	G G = F+D-15	58.1	23	27	32	35	30	30	0.36

Article no.	Price £	Price €
800200051	£19.20	€20.20
800215003	£19.20	€20.20
800210003	£19.20	€20.20

Protection Caps for IFR Series

Protective caps are always recommended to protect the couplings from damage, dirt inclusion, and will increase the product life. This is particularly important in agricultural applications where exposure to weather and aggregate materials are common.

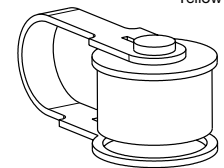
Metallic plug for female and plastic cap for male are included with the IFR couplings.

- The plug for female coupling is in carbon steel Cr III zinc plated.
- The standard color of plastic cap for male coupling is Yellow.
- Temperature range: from -20°C to +100°C.

Plug for FEMALE coupling
Carbon steel



Cap for MALE coupling
Yellow plastic



	Size	Metallic Plug for Female	Plastic Cap for male
IFR8	3/8"	815701120	814901027

Warning!

A defect, a wrong choice or an improper use of products, can cause injury to persons, animals and objects.

Connection under pressure are under residual pressure.

Never connect or disconnect with dynamic pressure (e.g. pump on).

Do not use the coupling disconnected with high impulse pressure.

Do not couple-uncouple with flow and/or pressure in the circuit.

Do not couple-uncouple when the temperature inside of the circuit is higher than 80 °C (176 °F).

Check the maximum allowable working pressure of the port in use.

Make sure that the medium used is compatible with seal and material as indicated for each series.

In case of doubt please contact Stucchi Technical Support.

The interchangeability is mentioned under the assumption that the manufacturer of the considered products has not changed any dimension.

It is MANDATORY to read and closely follow the instructions. Last updated version always apply at time of installation, see latest written Instructions on Stucchi website (www.stucchi.it) before selecting or using Stucchi products.



Stucchi®