



Series: VCR Tipper Trailer Couplings

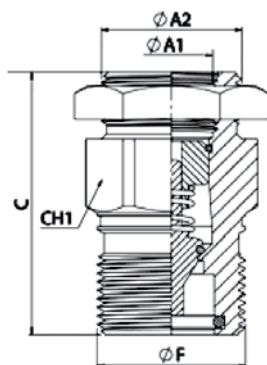
- Designed for elevation systems on trucks.
- Reduced drop pressure
- Poppet valve closing system
- Equivalent to Faster CVE, Edbro

Materials

Construction: Carbon Steel EN10277-3
 Seals: NBR, Viton or EPDM
 Springs: Carbon Steel DIN 17233/84(B)

Working Temperature

NBR: -30°C TO +100°C (STANDARD)
 Viton: -10°C TO +200°C (ON REQUEST)
 EPDM: -40°C TO +150°C (ON REQUEST)

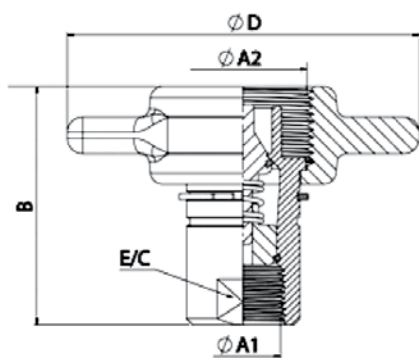


Male

DN	ØA1	ØA2	CH1	C	ØF	Pressure	Article no.
20	3/4" BSP	1 1/4"	46	78	44	250 BAR	98450
25	1" BSP	BSP	55	83	53.60	230 BAR	98602

Article no.	SIZE	Price £	Price €
98450	3/4"	£36.90	€38.70
98602	1"	£48.00	€50.40

DUST CAPS	Price £	Price €
340000	£11.10	€11.40
340002	£12.60	€13.20



Female

DN	ØA1	ØA2	E/C	B	ØD	Pressure	Article no.
20	3/4" BSP	41.50	33	78	115	250 BAR	98449
25	1" BSP	51	40	83	115	230 BAR	98601

Article no.	SIZE	Price £	Price €
98449	3/4"	£37.60	€39.50
98601	1"	£49.70	€52.20

DUST CAPS	Price £	Price €
340001	£10.50	€11.00
340003	£12.90	€13.50

Parking Anchor

Article no.	SIZE	Price £	Price €
201.1504AA	3/4"	£6.10	€6.40
201.1505AA	1"	£6.50	€6.90