



ON REQUEST -  
WITH WING LEVER

## High Pressure 2-Way Ball Valves Carbon Steel BKH Series – Compression End

**350 - 500 BAR Rated**

**Compression Connection – Heavy Series**

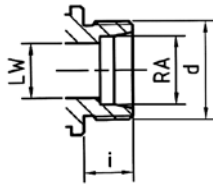
Article no. S series	Size DIN2353-S	Max Pressure BAR	Price £	Price €
<b>BKH8S</b>	8S	500	<b>£20.70</b>	<b>€21.80</b>
<b>10110S</b>	10S	500	<b>£20.00</b>	<b>€21.00</b>
<b>10112S</b>	12S	500	<b>£18.40</b>	<b>€19.30</b>
<b>BKH14S</b>	14S	500	<b>£31.00</b>	<b>€32.50</b>
<b>10116S</b>	16S	420	<b>£23.40</b>	<b>€24.60</b>
<b>BKH20S</b>	20S	420	<b>£29.50</b>	<b>€30.90</b>
<b>10125S</b>	25S	315	<b>£43.50</b>	<b>€45.70</b>
<b>BKH30S</b>	30S	315	<b>£57.40</b>	<b>€60.30</b>
<b>BKH38S</b>	38S	315	<b>£69.30</b>	<b>€72.80</b>

\* MAXIMUM PRESSURE IS GOVERNED BY THE FITTING DIN2353. PLEASE CHECK RATING OF FITTING.

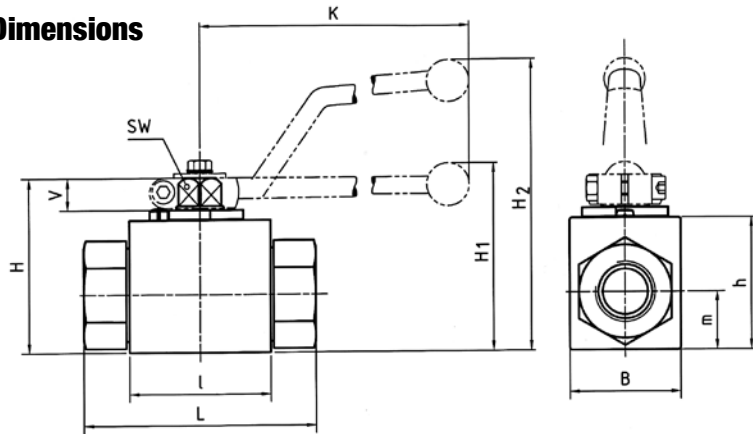
### Materials

Body	Steel 11SMn28K - Yellow Zinc Passivated
Ball	Brass - Mirror Finish Chromed
Stem Seal	NITRIL (Others On Request)
Ball Seal	POM-MoS2 (Others On Request)
Temp. Range	-20 to +100°C

### Dimensions



DIN 2353 S



Type	DN	RA	LW	L	I	B	H	h	m	V	SW	K	i	d	H1	H2	Weight
BKH- 8S	4	8	5	73	40	26	47	33	13,5	11	9	115	12	M 16x1,5	-	82	0.38
BKH-10S	6	10	6	73	40	26	47	33	13,5	11	9	115	12	M 18x1,5	-	82	0.39
BKH-12S	8	12	8	76	40	26	47	33	13,5	11	9	115	12	M 20x1,5	-	82	0.39
BKH-14S	10	14	10	80	43	32	52	38	17,5	11	9	115	14	M 22x1,5	-	86	0.50
BKH-16S	13	16	13	86	48	35	54	40	19	11	9	115	14	M 24x1,5	-	89	0.60
BKH-16S	16	16	15	86	48	38	63	46	19	13	12	160	14	M 24x1,5	-	106	0.75
BKH-20S	13	20	13	90	48	35	54	40	19	11	9	115	16	M 30x2	-	89	0.60
BKH-20S	16	20	15	90	48	38	63	46	19	13	12	160	16	M 30x2	-	106	0.80
BKH-25S	20	25	20	109	62	49	75	57	24,5	14	14	200	18	M 36x2	79	-	1.55
BKH-30S	25	30	25	120	66	58	83	65	29,5	14	14	200	20	M 42x2	87	-	2.10
BKH-38S	25/32	38	25	124	66	58	83	65	29,5	14	14	200	22	M 52x2	87	-	2.30

These products are not 'PED Compliant' for use with GAS

Should you have a GAS application please contact our sales office in order that they can check the PED requirements and offer a CE marked suitable product.