

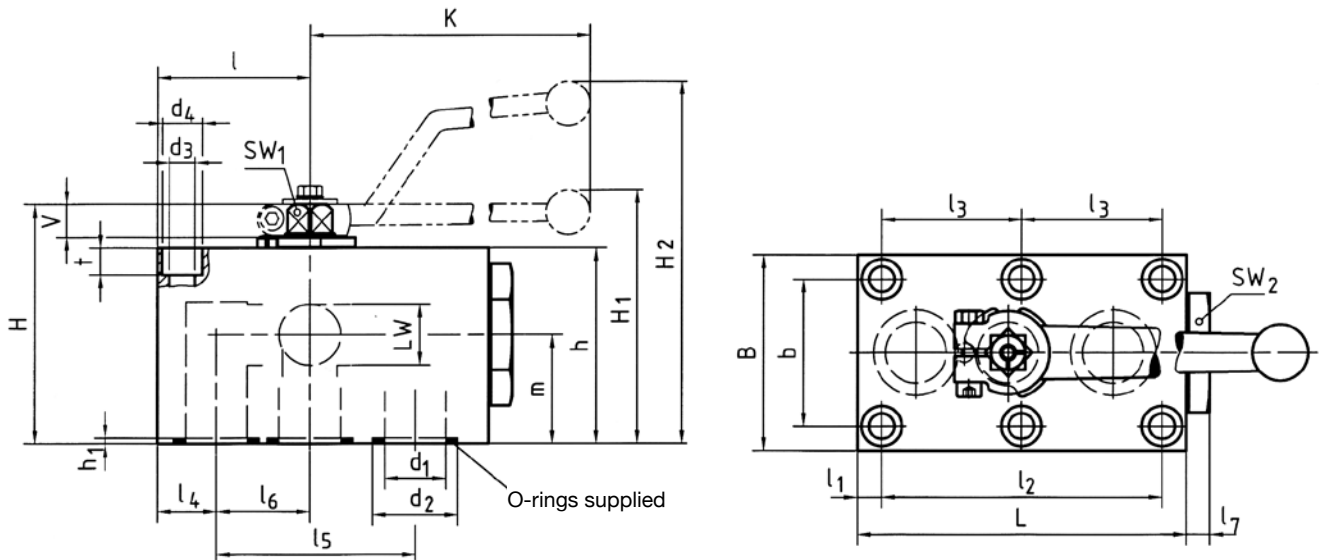


Selector Ball Valve for Manifold Mounting PK3 Steel



PK3 With Cross-over Flow
Operation 90° L-BORE
420 – 500 BAR Rated

Dimensions



Pressure inlet only from the port in the middle!

Type	DN	I	I1	I2	I3	I4	I5	I6	I7	L	B	b	H	h	m
PK3	6	26	8.5	35	-	8.5	35	17.5	6	57	40	27	43	35	19.5
PK3	10	29	7.5	55	-	10	44	19	10	70	55	40	59	45	24.5
PK3	13	42.5	7.5	83	41.5	16	58	26.5	10	98	60	45	69	55	34
PK3	20	51	10	97	48.5	20	69	31	10	117	70	51	88	70	37.5
PK3	25	62	10	115	57.5	24	81	38	10	135	80	60	98	80	44.5
PK3	32	75	12	136	68	29	96	46	10	165	100	78	121	100	54.5
PK3	40	84.5	28.5	112	56	28.5	112	56	17	200	130	95	131	110	57
PK3	50	106	38	136	68	38	136	68	15	240	150	112	150	129	71

We recommend screws according to DIN 912.

(Fixing screws are not supplied)

Type	Dimension of screws (min)	d3	d4	t	Torque of screws in Nm
PK3-DN6	4 x M6x40 - 8.8	6,5	10,5	6,8	9
PK3-DN10	4 x M8x50 - 8.8	8,4	13,5	8,5	21
PK3-DN13	6 x M8x60 - 10.9	8,4	13,5	7	30
PK3-DN20	6 x M10x80 - 10.9	10,5	16,5	10,5	60
PK3-DN25	6 x M10x90 - 12.9	10,5	16,5	10,5	70
PK3-DN32	6 x M12x110 - 10.9	13	19	12	100
PK3-DN40	6 x M16x120 - 12.9	16,5	25	19	300
PK3-DN50	6 x M20x140 - 10.9	21	31	21,5	500

These products are not 'PED Compliant' for use with GAS

Should you have a GAS application please contact our sales office in order that they can check the PED requirements and offer a CE marked suitable product.

Selector Ball Valve for Manifold Mounting PK3 Steel



HIGH PRESSURE BALL VALVES

PK3 With Cross-over Flow
Operation 90° L-BORE
420 – 500 BAR Rated



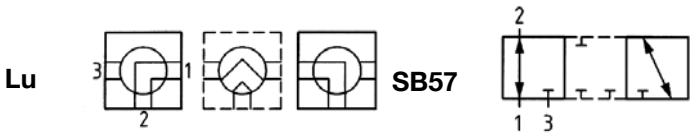
Article no.	Size mm	Max pressure BAR	Weight kg	Price £	Price €
25361	6	500	0.60	£150.70	€158.20
29190	10	500	1.30	£163.60	€171.70
23772	13	420	2.20	£260.90	€274.00
29291	20	420	3.90	£352.20	€369.90
28233	25	420	5.65	£396.40	€416.20
25636	32	420	1.10	£859.10	€902.00
33205	40	420	18.70	£1,144.00	€1,201.20
28334	50	420	28.80	£1,640.70	€1,722.70

Materials

Body	Steel
Ball	Steel
Stem	Steel
Ball seats	POM
O-rings	NBR
Tmax	-20°C / 100°C
Porting pattern	L=SB58



V	SW1	SW2	K	LW	H1	H2	d11	d2	h1	O-ring	Weight kg
6	7	19	80	6	-	67	6	11,8	1,9	7x2,5	0,60
11	9	30	115	10	-	93	9,5	14,9	1,9	10x2,5	1,30
11	9	32	115	13	-	104	13	24,9	1,9	20x2,5	2,20
14	14	46	200	20	92	-	20	29	2	23,47x2,62	3,90
14	14	50	200	25	102	-	25	34,9	2,3	29x3	5,65
16,5	17	65	320	32	130	-	32	40	2	34,59x2,62	1,10
16,5	17	80	320	38	140	-	38	47,7	2,3	42x3	18,70
16,5	17	90	320	48	159	-	48	59,8	2,3	54x3	28,80



PK3-S – available on request
PK3-S WITH positive overlap OPERATION 180°
L-BORE

These products are not 'PED Compliant' for use with GAS
 Should you have a GAS application please contact our sales office in order that they can check the PED requirements and offer a CE marked suitable product.