

Ball valve with SAE-Split Flanged Adaptor, MKH-SAEFS

Carbon Steel – SAE 3000 & 6000 Series

3000 Series

Size	PN (BAR)	Article no.	Price £	Price €
1 1/4"	210	9107004	£221.40	€232.40
1 1/2"	210	9107005	£322.10	€338.20
2"	210	9107006	£407.20	€427.50

Split Flanges (pair)

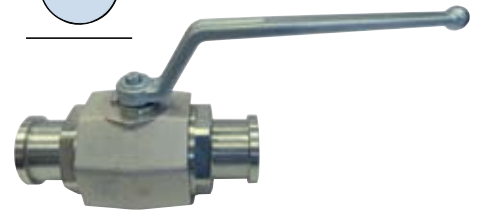
Article no.	Price £	Price €
SF3004	£11.10	€15.00
SF3005	£18.20	€24.60
SF3006	£25.30	€34.10

6000 Series

Size	PN (BAR)	Article no.	Price £	Price €
1 1/4"	420	107013	£221.40	€232.40
1 1/2"	420	107014	£322.10	€338.20
2"	420	107015	£462.00	€485.10

Split Flanges (pair)

Article no.	Price £	Price €
SF6004	£24.50	€33.10
SF6005	£47.40	€64.00
SF6006	£67.20	€90.70



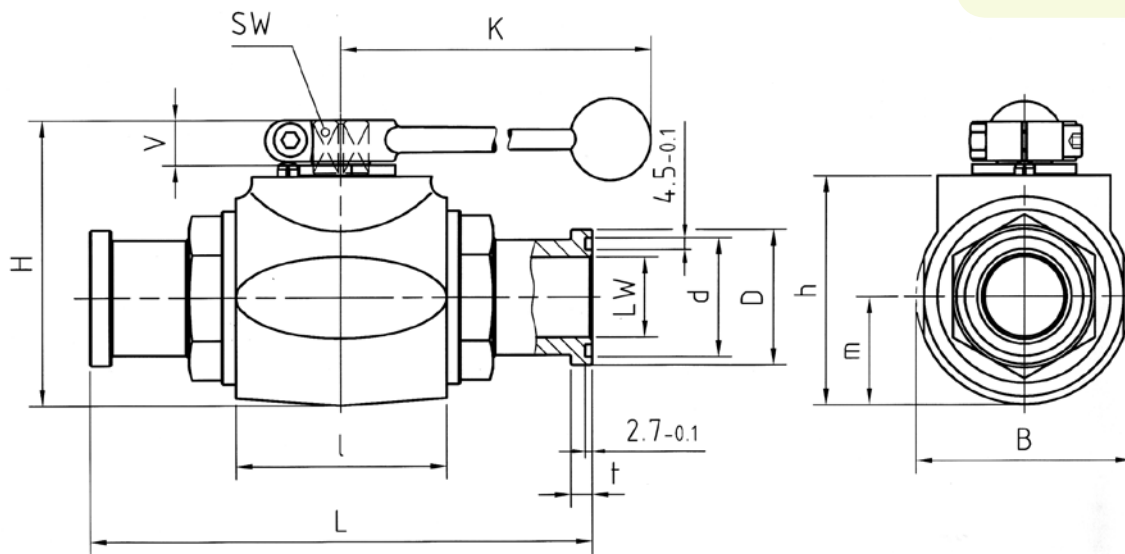
Cranked Lever as standard
Straight Lever available on request



Materials

Body	Steel
Ball	Steel
Stem	Steel
Ball seats	POM
O-rings	NBR
Tmax	-20°C / 100°C

Dimensions



SAE J 518 c 3000 psi

Type	DN	LW	L	I	B	H	h	m	V	SW	K	d _{+/-0.1}	D _{-0.2}	t _{-0.2}	Lever	Kg
MKH	32	30	191	80	81	107	86	40.5	16.5	17	320	44.6	50.8	8.1	Al	4.00
MKH	40	38	231	85	100	124	103	50	16.5	17	320	54.1	60.3	8.1	Al	6.25
MKH	50	48	232	100	118	138	117	59	16.5	17	320	63.6	71.4	9.6	Al	8.80

SAE J 518 c 6000 psi

Type	DN	LW	L	I	B	H	h	m	V	SW	K	d _{+/-0.1}	D _{-0.2}	t _{-0.2}	Lever	Kg
MKH	32	30	223	80	81	107	86	40.5	16.5	17	320	44.6	54	10.4	Al	4.50
MKH	40	38	281	85	100	124	103	50	16.5	17	320	54.1	63.5	12.7	Al	7.20
MKH	50	48	316	100	118	138	117	59	16.5	17	320	63.6	79.4	12.7	Al	10.90

Stainless Steel Version Available on Request

These products are not 'PED Compliant' for use with GAS

Should you have a GAS application please contact our sales office in order that they can check the PED requirements and offer a CE marked suitable product.