

Ball Valve with SAE Flange, MKH-SAE

Steel – SAE 3000 & 6000 Series

3000 Series

Article no.	Size	PN (BAR)	Price £	Price €
9107104	1 1/4"	210	£422.30	€443.40
107105	1 1/2"	210	£496.20	€521.00
107106	2"	210	£758.00	€795.90
107107	2 1/2"	210	£816.50	€857.40

6000 Series

Article no.	Size	PN (BAR)	Price £	Price €
107113	1 1/4"	420	£422.90	€444.00
107114	1 1/2"	420	£496.20	€521.10
107115	2"	420	£758.00	€795.90

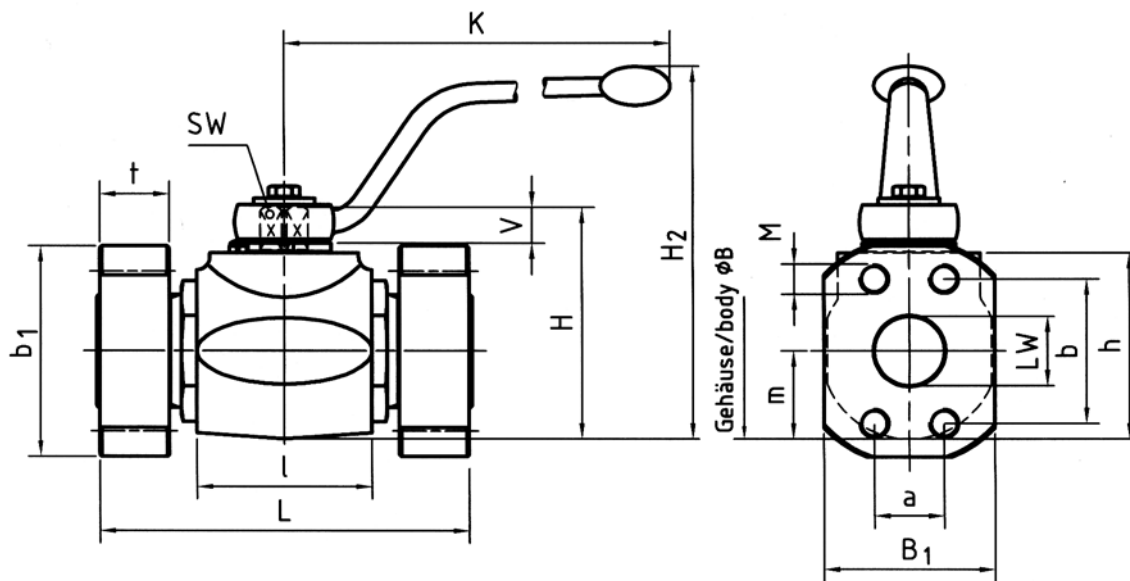


HIGH PRESSURE BALL VALVES

Materials

Body	Steel
Ball	Steel
Stem	Steel
Ball seats	POM
O-rings	NBR
Tmax	-20°C / 100°C

Dimensions



SAE J 518 c 3000 psi

Type	DN	LW	L	I	B	H	h	m	V	SW	K	B ₁	b ₁	t	a	b	M	H ₂	Kg
MKH	32	32	172	80	81	107	86	40.5	16.5	17	306	69	80	21	30.2	58.7	M12	171	7.30
MKH	40	38	177	85	100	124	103	50	16.5	17	306	77	95	24	35.7	69.8	M12	188	10.80
MKH	50	48	196	100	118	138	117	59	16.5	17	306	89	103	24	42.9	77.8	M12	202	18.80
MKH	50/65	48	196	100	118	138	117	59	16.5	17	306	89	103	24	50.8	88.9	M12	202	18.80

SAE J 518 c 6000 psi

Type	DN	LW	L	I	B	H	h	m	V	SW	K	B ₁	b ₁	t	a	b	M	H ₂	Kg
MKH	32	32	172	80	81	107	86	40.5	16.5	17	306	77	94	27	31.8	66.7	M14	171	7.30
MKH	40	38	177	85	100	124	103	50	16.5	17	306	89	103	30	36.5	79.4	M16	188	10.80
MKH	50	48	196	100	118	138	117	59	16.5	17	306	123	135	35	44.5	96.8	M20	202	18.80

Stainless Steel Version Available on Request

These products are not 'PED Compliant' for use with GAS

Should you have a GAS application please contact our sales office in order that they can check the PED requirements and offer a CE marked suitable product.