

Flow Control Needle Valves – Double Acting

210 BAR Rated

Nickel plated brass



Article no.	Size BSP	Max Pressure BAR	Max Flow LPM	Price £	Price €
201020	1/8"	210	2*	£54.50	€57.20
201010	1/8"	210	10	£34.40	€36.10
201011	1/4"	210	20	£31.70	€33.30
201012	3/8"	210	30	£40.20	€42.20
201013	1/2"	210	50	£59.20	€62.10
201014	3/4"	210	90	£110.10	€115.60

* Fine control between 0 & 2 lpm body passivated

316 Stainless Steel with viton seals - 300 BAR RATED



Article no.	Size BSP	Max Pressure BAR	Max Flow LPM	Price £	Price €
201060	1/8"	300	10	£133.50	€140.10
201061	1/4"	300	20	£124.10	€130.40
201062	3/8"	300	30	£153.30	€161.00
201063	1/2"	300	60	£239.20	€251.20
201069	3/4"	300	90	£322.30	€338.40

Panel Mounting Nuts – BRASS



Article no.	Size BSP	Price £	Price €
207010	1/8"	£2.50	€2.60
207011	1/4"	£2.30	€2.40
207012	3/8"	£2.60	€2.70
207013	1/2"	£3.60	€3.70
207006	3/4"	£5.40	€5.70

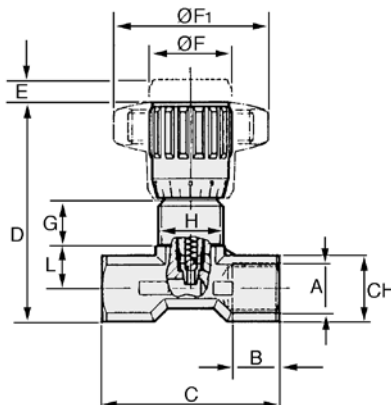


'MP' PLASTIC HANDLE
on request interchangeable
with aluminium knob

Materials

Body Brass - Nickel Plated Or Stainless Steel
 Stem 304 Stainless Steel
 Stem Seal NITRIL (others on request)
 Temp. Range -20 TO +100°C

Dimensions (mm)



size	B	C	D	E	F	f1	G	H	L	CH	WEIGHT kg
1/8"	8	40	55	4	22	40	12	m15x1	9.5	15	0.105
1/4"	12	46	57	4.5	22	40	12	m17x1	11	17	0.122
3/8"	13	55	69	7	27	50	11.5	M20x1	15	22	0.233
1/2"	16	70	82	10	33	70	13	M25x1.5	19	27	0.455
3/4"	20	91	100	12	38	80	15	M30x1.5	22	34	0.86