

Needle Valves – Double Acting Flow Control & Shut Off NDV Series

350 BAR Rated



Article no.	Size BSP	Max Pressure BAR	Max Flow LPM	Price £	Price €
9201001	1/8"	350	10	£45.10	€47.40
9201002	1/4"	350	50	£22.50	€23.60
9201003	3/8"	350	75	£27.00	€28.40
9201004	1/2"	350	140	£36.80	€38.60
9201005	3/4"	350	175	£62.60	€65.70
9201006	1"	350	350	£115.60	€121.40
9201007	1 1/4"	350	350	£145.70	€153.00
9201008	1 1/2"	350	350	£235.80	€247.60

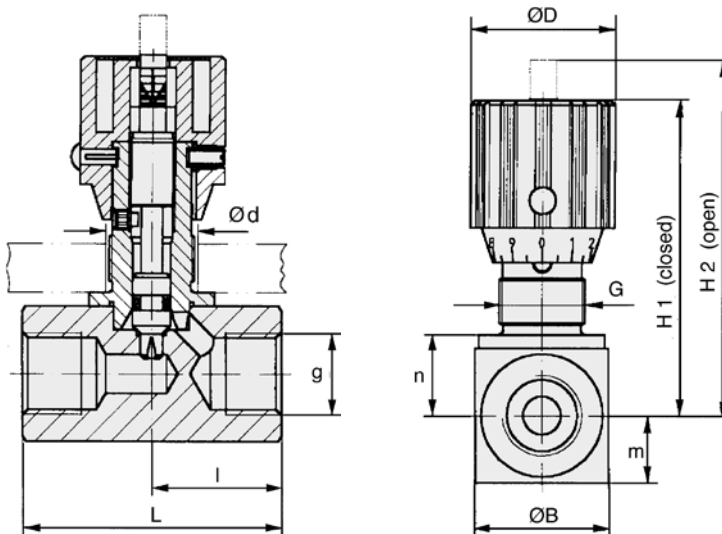
Panel Mounting Nuts – STEEL

Article no.	Size	Price £	Price €
10095	1/4" & 3/8"	£5.30	€5.50
10096	1/2" & 3/4"	£5.10	€5.40
10097	1" - 1 1/2"	£5.10	€5.40



Materials

Body	Steel 9SMn28K
Stem	Steel
Stem Seal	NITRIL (Others On Request)
Temp. Range	-10 TO +100°C
Control Knob	Nylon



Dimensions (mm)

Type	Pn	g	H2	H1	m	n	B	l	L	D	d	G	weight kg
9201001	350	G1/8	60	55	8	10	16	19	38	24	13	Pg7	0.12
9201002	350	G1/4	71	65	12.5	14.5	25	24	48	29	19	Pg11	0.25
9201003	350	g3/8	75	68	15	17	30	29	58	29	19	Pg11	0.4
9201004	350	G1/2	92	82	17.5	21	35	34	68	38	23	Pg16	0.7
9201005	350	g3/4	106	96	22.5	26	45	39	78	38	23	Pg16	1.2
9201006	350	G1	149	132	25	30	50	54	108	55	38	Pg29	2.1
9201007	350	g1 1/4	154	137	30	35	60	54	108	55	38	Pg29	2.8
9201008	350	g1 1/2	159	142	35	40	70	54	108	55	38	Pg29	3.5