

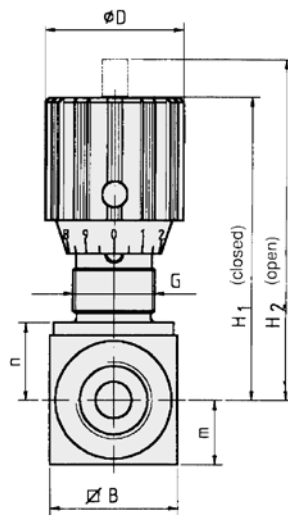
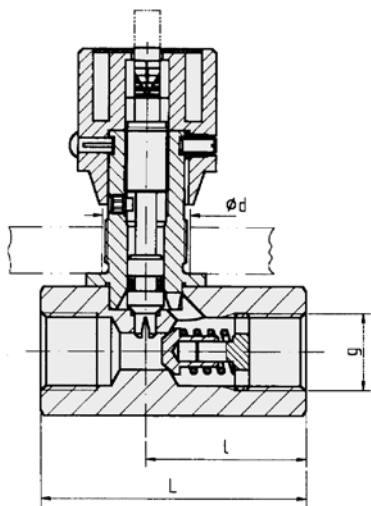
Needle Valves – Single Acting Flow Control with Free Reverse Flow NDRV Series

350 BAR Rated

Article no.	Size BSP	Max Pressure BAR	Max Flow Controlled LPM	Max Flow Reverse LPM	Price £	Price €
9204001	1/8"	350	10	15	£68.80	€72.30
9204002	1/4"	350	50	70	£28.40	€29.90
9204003	3/8"	350	75	100	£31.70	€33.30
9204004	1/2"	350	140	150	£42.50	€44.60
9204005	3/4"	350	175	200	£75.30	€79.10
9204006	1"	350	350	275	£138.90	€145.90
9204007	1 1/4"	350	350	400	£221.70	€232.80
9204008	1 1/2"	350	350	520	£251.60	€264.20
9204009	2"	350	350	600	£392.20	€411.80

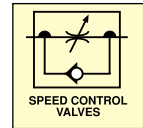
Panel Mounting Nuts – STEEL

Article no.	Size	Price £	Price €
10095	1/4" & 3/8"	£5.30	€5.50
10096	1/2" & 3/4"	£5.10	€5.40
10097	1" - 1 1/2"	£5.10	€5.40



Dimensions (mm)

TYPE	Pn	g	H2	H1	m	n	B	l	L	D	d	G	weight kg
9204001	350	G1/8	60	55	8	10	16	26	45	24	13	Pg7	0.13
9204002	350	G1/4	71	65	12.5	14.5	25	33.5	55	29	19	Pg11	0.30
9204003	350	G3/8	75	68	15	17	30	41	65	29	19	Pg11	0.45
9204004	350	G1/2	92	82	17.5	21	35	44	73	38	23	Pg16	0.80
9204005	350	G3/4	106	96	22.5	26	45	57	88	38	23	Pg16	1.30
9204006	350	G1	149	132	25	30	50	77	127	55	38	Pg29	2.40
9204007	350	G1 1/4	154	137	30	35	60	93	143	55	38	Pg29	3.50
9204008	350	G1 1/2	159	142	35	40	70	91	143	55	38	Pg29	4.60
9204009	350	G2	169	152	45	50	90	111	165	55	38	Pg29	7.70



FLOW CONTROL VALVES

Materials

Body	Steel 9SMn28K
Stem	Steel
Stem Seal	NITRIL (Others On Request)
Temp. Range	-10 to +100°C
Control Knob	Nylon