

ALUMINIUM HANDLE

Needle Valves – Double Acting for Flow Control & Shut Off – FT257 Series

320 – 400 BAR Rated

Carbon Steel

Article no.	Article no.	Size BSP	Max Pressure BAR	Max Flow LPM	Price £	Price €
201001	202001	1/8"	400	12	£55.10	€57.80
201002	202001	1/4"	400	25	£51.60	€54.10
201003	202002	3/8"	400	60	£62.70	€65.80
201004	202003	1/2"	400	75	£77.30	€81.20
201005	202004	3/4"	400	120	£131.20	€137.80
201006	202005	1"	320	200	£234.30	€246.00
201007	202006	1 1/4"	320	250	£318.40	€334.40
201008	202007	1 1/2"	320	350	£380.80	€399.80
201009	202008	2"	320	350	£656.10	€688.90

Stainless Steel

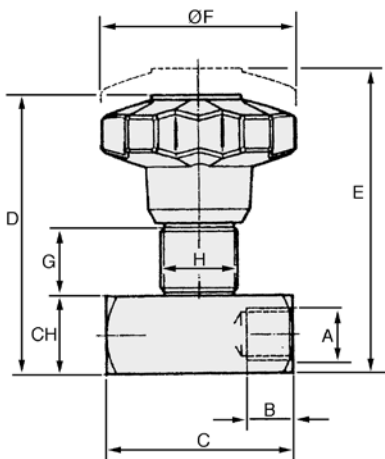
Article no.	Size BSP	Max Pressure BAR	Max Flow LPM	Price £	Price €
212001	1/4"	400	25	£182.50	€191.60
212002	3/8"	400	60	£238.10	€250.00
212003	1/2"	400	75	£347.20	€364.60
212004	3/4"	400	120	£537.50	€564.40
212005	1"	320	200	£1,081.90	€1,136.00
212006	1 1/4"	320	250	£1,182.20	€1,241.30
212007	1 1/2"	320	350	£1,869.60	€1,963.10
212008	2"	320	350	£2,440.10	€2,562.10

Materials

Body	Steel 9SMn28K or S/S
Stem	Steel or S/S
Stem Seal	NITRIL or VITON
Temp. Range	-20 TO +100°C
Control Knob	ABS Plastic - FT257/1 Aluminium - FT257/2

Panel Mounting Nuts – STEEL

Article no.	Size	Price £	Price €
207003	1/8"	£3.40	€3.50
207004	1/4"	£3.40	€3.50
207005	3/8"	£3.40	€3.50
207006	1/2"	£4.50	€4.70
207008	3/4"	£7.00	€7.40
207009	1" & 1 1/4"	£8.30	€8.70



Dimensions (mm)

Size	B	C	D	E	F	G	H	CH	WEIGHT kg
1/8"G	8.5	38	59	64	40	13.5	m17x1	16	0.110
1/4"G	12.5	49	71	78	50	17	m20x1	20	0.200
3/8"G	12.5	59	84	93	70	19.5	M25x1.5	25	0.375
1/2"G	15.5	68	97	107	80	21	M30x1.5	30	0.600
3/4"G	17	86	120.5	132.5	100	26.5	M40x1.5	40	1.250
1"G	20	105	151.5	167.5	120	35	m50x1.5	50	2.550
1 1/4"G	22	120	156.5	172.5	120	35	m50x1.5	55	3.000
1 1/2"G	24	134	167	181	120	35	M55x2	65	4.2
2"G	27	150	188	202	85*	44	M65x2	75	7.3

*ALUMINIUM HANDLE ONLY