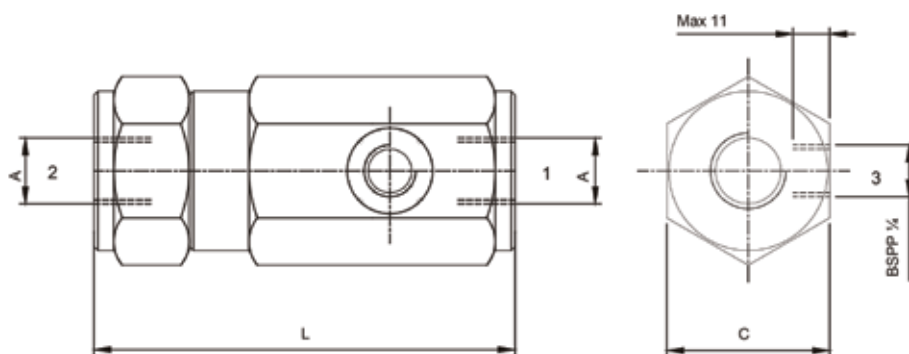
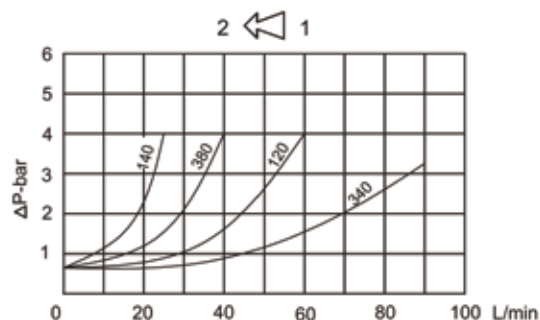
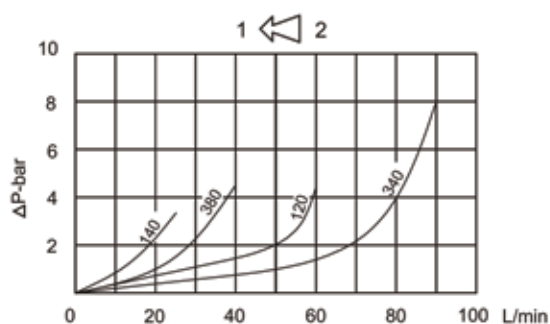


VRPE – Single Acting Pilot Check Valves

300 – 350 BAR Rated

Article no.	A	Max Pressure BAR	Opening Pressure BAR	Max Flow l/min	Price £	Price €
VRPE140	BSPP 1/4	350	0.5	25	£39.10	€41.10
VRPE380	BSPP 3/8	350	0.5	40	£48.00	€50.40
VRPE120	BSPP 1/2	350	0.5	60	£51.60	€54.20
VRPE340	BSPP 3/4	300	0.5	90	£86.80	€91.20
VRPE100	BSPP1	300	0.5	150	£101.20	€106.30

Pressure Drop Graph



Dimensions (mm)

Code	A	L	C	Pilot ratio	Weight kg
VRPE140	BSPP 1/4	100	36	1:5	0.75
VRPE380	BSPP 3/8	105	41	1:4.4	1
VRPE120	BSPP 1/2	125	41	1:4.2	1.1
VRPE340	BSPP 3/4	130	55	1:4	2
VRPE100	BSPP 1	166	65	1:6:2	3.6